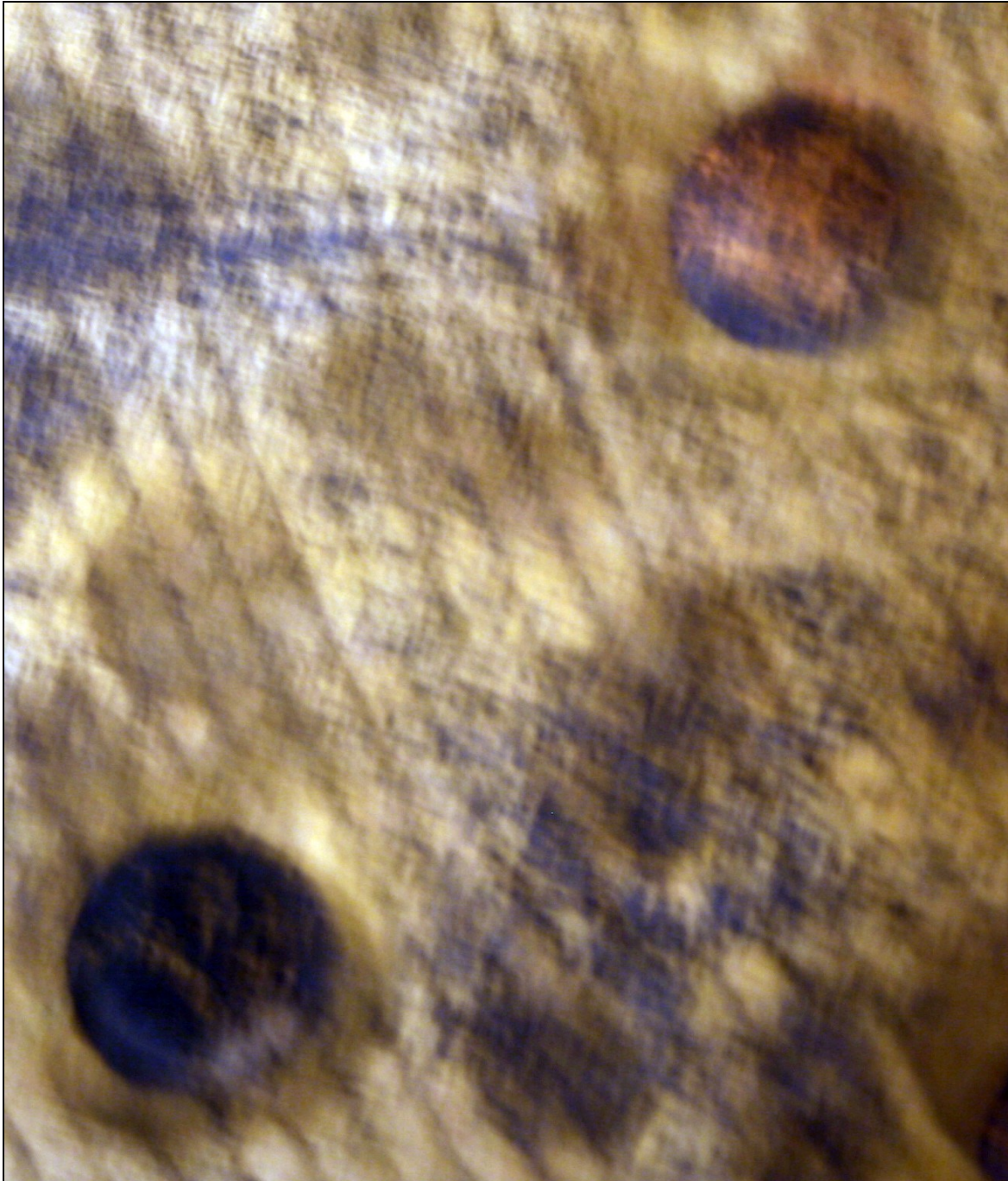


Semiconductor Devices: Theory and Application

Laboratory Manual



James M. Fiore

Semiconductor Devices: Theory and Application

Laboratory Manual

by

James M. Fiore

Version 1.4.11, 11 November 2022

This **Laboratory Manual for Semiconductor Devices: Theory and Application**, by **James M. Fiore** is copyrighted under the terms of a Creative Commons license:



This work is freely redistributable for non-commercial use, share-alike with attribution

Published by James M. Fiore via dissidents

ISBN13: 978-1796601947

For more information or feedback, contact:

James Fiore, Professor
Electrical Engineering Technology
Mohawk Valley Community College
1101 Sherman Drive
Utica, NY 13501
jfiore@mvcc.edu
oeer@jimfiore.org

For the latest revisions, related titles, and links to low cost print versions, go to:

www.mvcc.edu/jfiore or my mirror sites www.dissidents.com and www.jimfiore.org

YouTube Channel: [Electronics with Professor Fiore](#)

Cover art, *Ride*, by the author

Introduction

This laboratory manual is the companion to my OER text *Semiconductor Devices: Theory and Application*. It is intended for use in introductory semiconductor devices courses and is appropriate for two and four year electrical engineering technology curriculums. The manual contains sufficient exercises for two 15 week courses using a two to three hour practicum period. It assumes familiarity with basic electrical circuit analysis techniques and theorems. The topics cover basic diodes through DC biasing and AC analysis of small signal bipolar and FET amplifiers along with class A and B large signal analysis. For equipment, each lab station should include a dual adjustable DC power supply, a dual trace oscilloscope, a function generator and a quality DMM. Some exercises also make use of a distortion analyzer and a low distortion generator (generally, THD below 0.01%), although these portions may be bypassed. For components, a selection of standard value ¼ watt carbon film resistors ranging from a few ohms to a few mega ohms is required along with an array of typical capacitor values (film types recommended below 1 µF and aluminum electrolytics above). Specialty passives include a CdS cell, thermistor and a 20 ohm 20 watt load resistor. A decade resistance box and a 10 kΩ potentiometer may also be useful. Active devices include small signal diodes such as the 1N914 or 1N4148, rectifying diodes such as the 1N4000 series, the NZX5V1B or 1N751 Zener, single LEDs of various colors, a super bright LED, 2N3904 or 2N2222 NPN transistor, 2N3906 PNP transistor, and MPF102 N channel JFET. A small 12.6 VCT power transformer is used in the power supply project and associated exercises along with a three-terminal linear regulator.

Each exercise begins with an Objective and a Theory Overview. The Equipment List follows with space provided for serial numbers and measured values of components. Schematics are presented next along with the step-by-step procedure. Many exercises include sections on troubleshooting and design. Simulations are often presented as well, and any quality simulation package such as [LTspice](#), [TINA-TI](#), Multisim or PSpice can be used. All data tables are grouped together, typically with columns for the theoretical and experimental results, along with a column for the percent deviations between them. Finally, a group of appropriate questions are presented.

Other laboratory manuals in this OER series include DC and AC Electrical Circuit Analysis, Computer Programming with Python™ and Multisim™, Operational Amplifiers & Linear Integrated Circuits, Embedded Controllers Using C and Arduino, and Science of Sound. OER texts for DC and AC Electrical Circuit Analysis, Embedded Controllers, and Operational Amplifiers & Linear Integrated Circuits are also available. Finally, this work supersedes the earlier “Laboratory Manual for Linear Electronics”.

A Note from the Author

This manual is used at Mohawk Valley Community College in Utica, NY, for our [ETAC of ABET](#) accredited AAS program in Electrical Engineering Technology. I am indebted to my students and colleagues for their support and encouragement of this project. It was created out of a desire to offer a minimal cost lab manual for our students that covered the requisite material and made optimal use of our laboratory facilities. While it would have been possible to seek a traditional publisher for this work, as a long-time supporter and contributor to freeware and shareware computer software, I have decided instead to release this title using a Creative Commons non-commercial, share-alike license. I encourage others to make use of this manual for their own work and to build upon it. If you do add to this effort, I would appreciate a notification. Please note that the latest versions of all texts and manuals in both PDF and easily editable versions (odt) may be found at my MVCC site or on my mirror site, www.dissidents.com

*“It doesn’t matter how beautiful your theory is, it doesn’t matter how smart you are.
If it doesn’t agree with experiment, it’s wrong.”*

- Richard Feynman

Table of Contents

1. Introduction to Electronics Lab	8
2. Resistive Sensors	20
3. Diode Curves	24
4. Light Emitting Diodes	30
5. Photodiodes	36
6. The Zener Diode	40
7. The Oscilloscope (four and two channel versions)	46, 52, 60
8. Diode Clippers and Clampers	68
9. Half-wave Rectifier	72
10. The Transformer	76
11. Full-wave Bridge Rectifier	80
12. The DC Power Supply Project	84
13. Base Bias	90
14. LED Driver Circuits	96
15. Emitter Bias	102
16. Voltage Divider Bias	108
17. Feedback Biasing	114
18. PNP Transistors	120
19. Common Emitter Amplifier	126
20. Swamped CE Amplifier	132
21. Frequency Limits	138
22. Voltage Follower	142
23. Class A Power Analysis	148
24. Class B Power Analysis	154
25. Power Amp with Driver	160
26. JFET Bias	166
27. JFET Amplifiers	172
28. JFET Ohmic Region	178
Appendix A: Creating Graphs Using a Spreadsheet	182
Appendix B: Manufacturer's Datasheet Links	184
Appendix C: Component Symbol Glossary	185

1 Introduction to Electronics Lab

Objective

The laboratory emphasizes the practical, hands-on component of this course. It complements the theoretical material presented in lecture, and as such, is integral and indispensable to the mastery of the subject. There are several items of importance here including proper safety procedures, required tools, and laboratory reports. This exercise will finish with a section on component identification.

Lab Safety and Tools

If proper procedures are followed, the electrical lab is a perfectly safe place in which to work. There are some basic rules: No food or drink is allowed in lab at any time. Liquids are of particular danger as they are ordinarily conductive. While the circuitry used in lab normally presents no shock hazard, some of the test equipment may have very high internal voltages that could be lethal (in excess of 10,000 volts) along with the 120 VAC power used to operate the equipment that can also be lethal if good safety practices are not followed. Spilling a bottle of water or soda onto such equipment could leave the experimenter in the receiving end of a severe shock. Similarly, items such as books and jackets should not be left on top of the test equipment as it could cause overheating. Use caution in storing these items during lab periods to avoid trip or fall hazards in the lab.

Each lab bench is self contained. All test equipment is arrayed along the top shelf. Built into the bench is a power strip. All test equipment for this bench should be plugged into this strip. None of this equipment should be plugged into any other strip. This strip is controlled by a circuit breaker. In the event of an emergency, all test equipment may be powered off through this one switch. Further, the benches are controlled by dedicated circuit breakers in the main lab panel. Located at the front of the lab is an A/B/C class fire extinguisher suitable for electrical fires. Also at the front of the lab is a safety kit. This contains bandages, cleaning swabs and the like for small cuts and the like. Familiarize yourself with the location of these items in the lab. For serious injury, the Campus Security Office should be contacted.

A lab bench should always be left in a secure mode. This means that the power to each piece of test equipment should be turned off, the bench itself should be turned off, all AC and DC power and signal sources should be turned down to zero, and all other equipment and components properly stowed with lab stools pushed under the bench. Any cables or cords used in the lab should be stored properly after the exercise is completed.

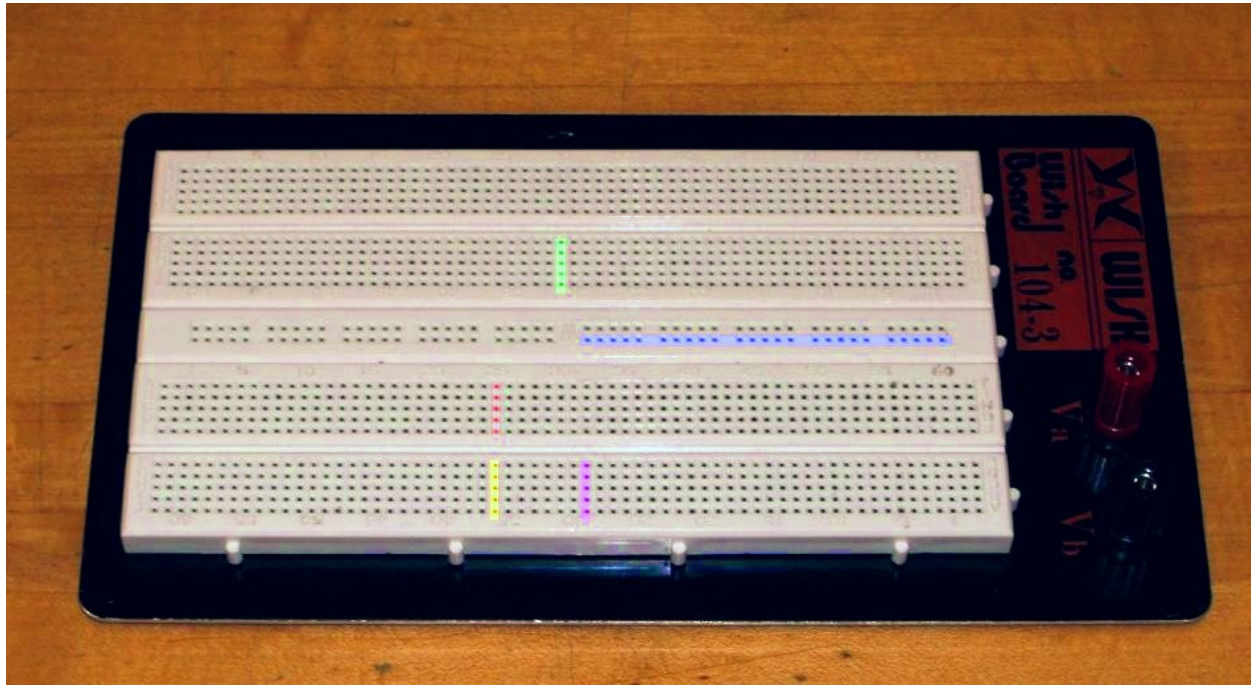
It is important to come prepared to lab. This includes the class text, the lab exercise for that day, class notebook, calculator, and hand tools. The tools include an electronic breadboard, test leads, wirestrippers, and needle nose pliers or hemostats. A small pencil soldering iron may also be useful. A basic DMM (digital multimeter) rounds out the list.

A typical breadboard or protoboard is shown below:



This particular unit features two main wiring sections with a common strip section down the center. Boards can be larger or smaller than this and may or may not have the mounting plate as shown. The connections are spaced 0.1 inch apart which is the standard spacing for many semiconductor chips. These are clustered in groups of five common terminals to allow multiple connections. The exception is the common strip which may have dozens of connection points. These are called *buses* and are designed for power and ground connections. Interconnections are normally made using small diameter solid hookup wire, usually AWG 22 or 24. Larger gauges may damage the board while smaller gauges do not always make good connections and are easy to break.

In the picture below, the color highlighted sections indicate common connection points. Note the long blue section which is a bus. This unit has four discrete buses available. When building circuits on a breadboard, it is important to keep the interconnecting wires short and the layout as neat as possible. This will aid both circuit functioning and ease of troubleshooting.



Component Identification

In this lab, many different electronic components are used including passive devices such as resistors and capacitors as well as semiconductors such as diodes and transistors, and finally, integrated circuits. These devices are available in many different case styles. Two broad classifications are through-hole and surface mount. As circuits will be built on protoboards, through-hole components are of particular interest here. Surface mount devices are generally smaller and use thin flat tabs or stubs in place of ordinary wire leads. In production they are soldered directly to the surface of the printed circuit board without the use of holes.

Resistors and Potentiometers

Resistors are perhaps the single most common component. They are classified as passive devices (versus active devices AKA semiconductors). Resistors have two leads and are not directional so they cannot be inserted backwards. Leads are usually axial (i.e., emanating from opposite ends). The physical size of a resistor indicates its power handling capacity, not its resistance. The general purpose lab resistor is usually a carbon film type, $\frac{1}{4}$ watt dissipation. Resistance values are shown via a color coded series of bands for most types, although high precision resistors may have the value printed directly on the body.

Potentiometers may be either rotary or linear travel (slider), with rotary being the most common. Most rotary pots are $\frac{3}{4}$ turn, although precision trim pots may be 20 turns or more. Typically, the center of the three connections is the wiper arm. Rotary pots may be designed for panel mount (for example, a volume control on a stereo) or board mount (such as a calibration control). The taper of a pot indicates how resistance and position are related. Pots may have a linear taper or a specialized audio taper (log taper). A linear taper means that a specific degree of rotation will produce the same resistance change. Rotating the

shaft half way, for example, results in a 50/50 split of the resistance. In contrast, an audio taper pot would show a 10/90 split. Pots are also available in multi-gang, that is, several pots controlled by one common shaft.

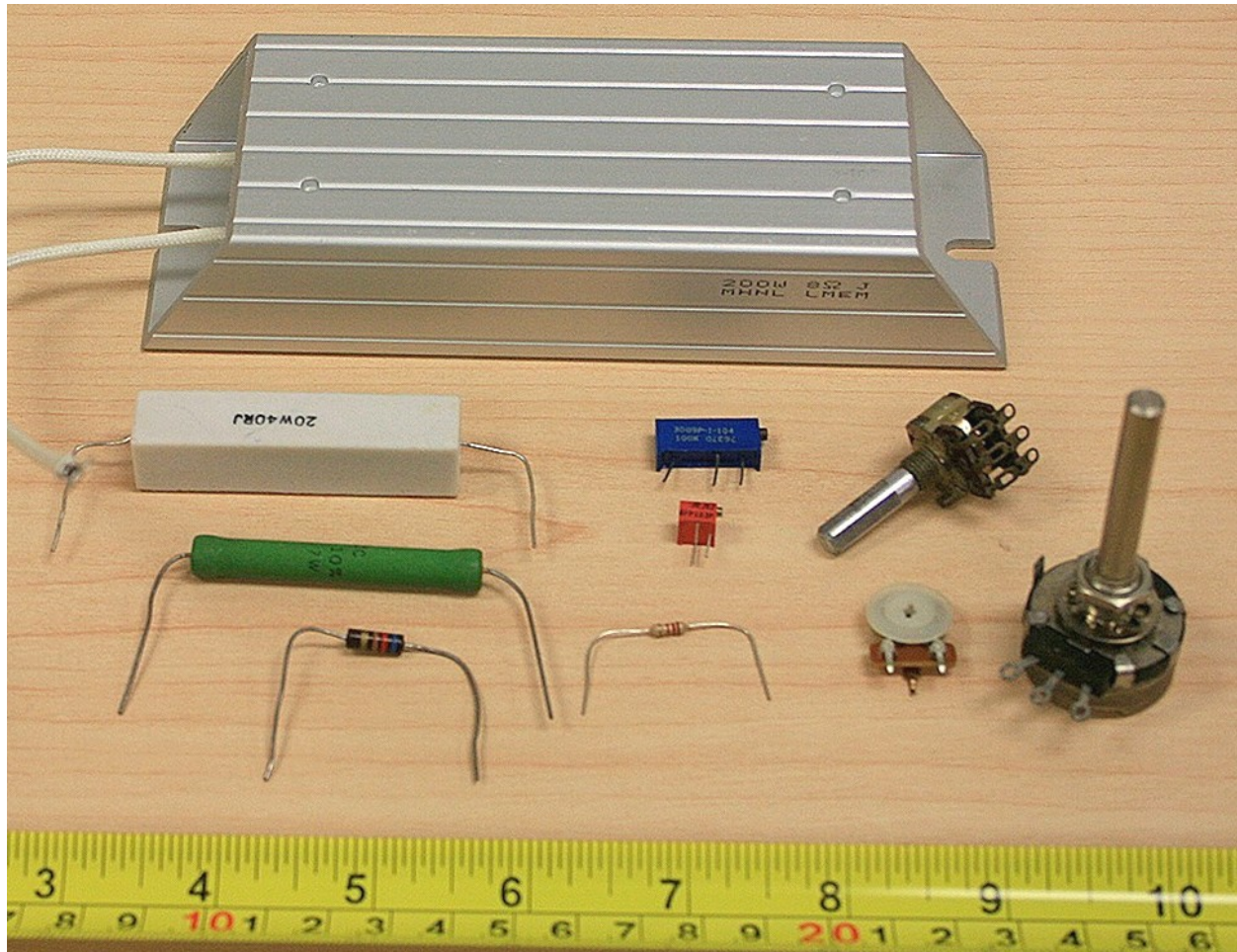


Figure 1, Resistors and Potentiometers

Capacitors

Capacitors are also classified as passives and can be thought of as very short term energy storage devices. Capacitors are dual lead but may have either axial or radial (radiating from one end) leads. Unlike resistors, the physical size of a capacitor offers a clue as to its capacitance and voltage rating. All other factors being equal the greater the capacitance or voltage rating, the larger the capacitor. Most smaller capacitors (below 1 μF) are not polarized and can be inserted into a circuit either way. The more popular dielectrics for this range include the ceramics (usually disk or coin shaped) and poly film types (polyester, polypropylene, etc.) which are usually block shaped. Teardrop shaped tantalum capacitors are used commonly for power supply bypass. They are polarized and must be inserted in the circuit in the specified direction. Larger capacitance values (over 1 μF) are often realized via aluminum electrolytics. These are

also polarized. Failure to insert these in the proper direction may result in unpredictable results, including the capacitor exploding. While they do not perform as well as film types in terms of leakage, accuracy, etc., they offer high volumetric efficiency (i.e., small physical size given the capacitance). Very large caps may have screw terminals in place of wire leads. In years past, color coding was common but this has generally been replaced with values printed directly on the body of the capacitor. Sometimes a numeric code is used such as “102”. This is read as 10 followed by 2 zeroes, with the result in picofarads, or 1000 pF (1 nF) in this case. Finally, because capacitors are charge storage devices, they may present a shock hazard from stored charge after they are removed from a circuit. This charge may be bled off with a low value resistance placed across the leads.

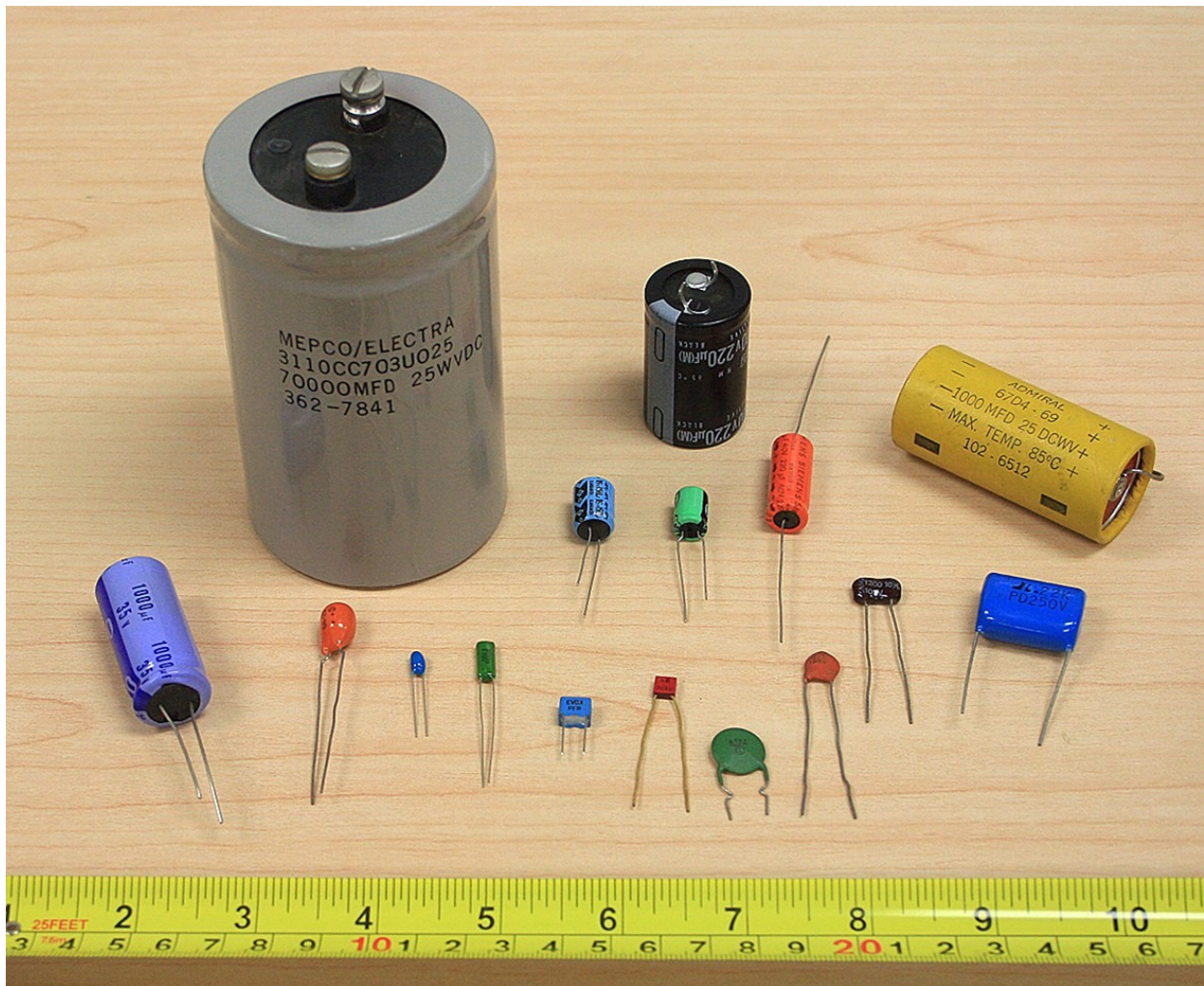


Figure 2, Capacitors

Inductors

The third and final passive device is the inductor. Also non-polarized, they normally have axial leads. Smaller values may be completely encapsulated and appear not much different from a carbon composition resistor. Others may use some form of jacket or coating while still others show bare wire (the wire only appears bare, it is in fact covered by a thin clear insulating coating). These vary from the size of small resistors to what appear to be large spools of wire.

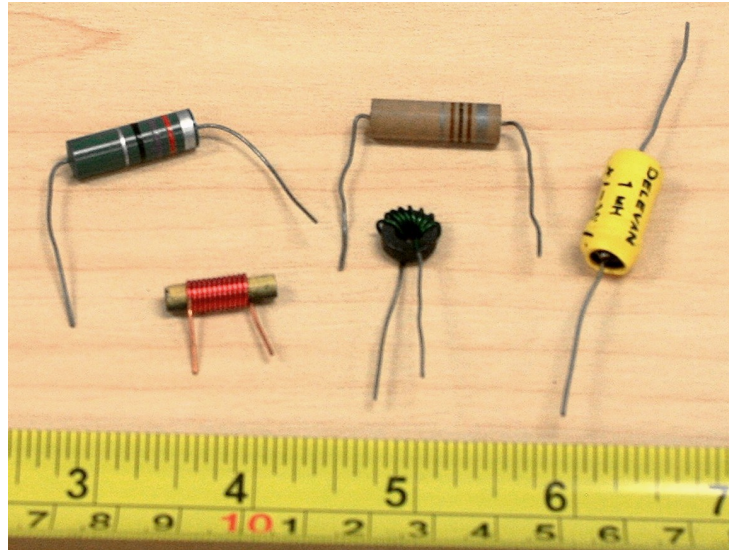


Figure 3, Inductors

Diodes

Diodes are a two lead semiconductor. They are polarized and typically have axial leads. The two leads are referred to as the anode and cathode. Signal diodes are around the size of $\frac{1}{4}$ watt resistors and sometimes use a glass body. The cathode is marked by a band or stripe on the body of the diode. The cathode of an LED is usually marked by a flat spot on the plastic housing or by the shorter of the two leads. High power diodes are much more robust and might appear at first glance to be a short bolt or stud with leads attached to it. Component numbers are usually stamped on the body of the device.

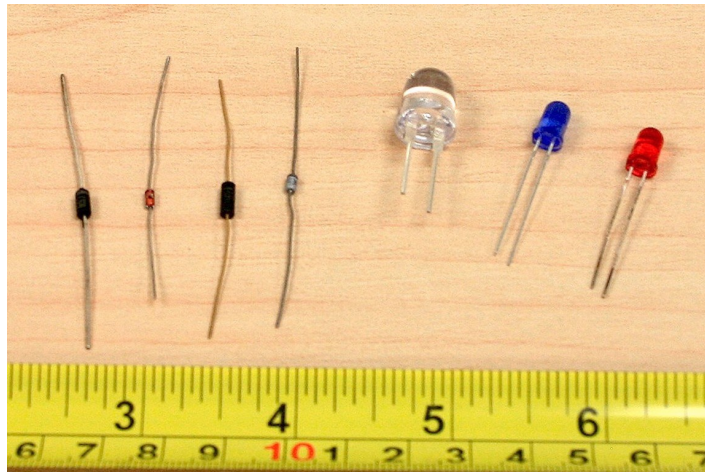


Figure 4, Diodes

Transistors

There are many types of transistors. Generally, they are three lead devices. Component model numbers will be stamped directly onto the case. Small power dissipation (< 500 mW) units will usually be seen in plastic TO-92 cases, round metal TO-5 cans or variations on the theme. Mid power devices typically use TO-220, TO-202 or the like “power tab” cases. For higher powers the oval TO-3 cases are employed. A similarly shaped but slightly smaller variant is the TO-66. Power devices will need to use a heat sink to keep them cool. TO-92 cases use a flattened front face so that the three pins may be distinguished from each other without confusion. The round TO-5 can uses a small tab to indicate pin 1.

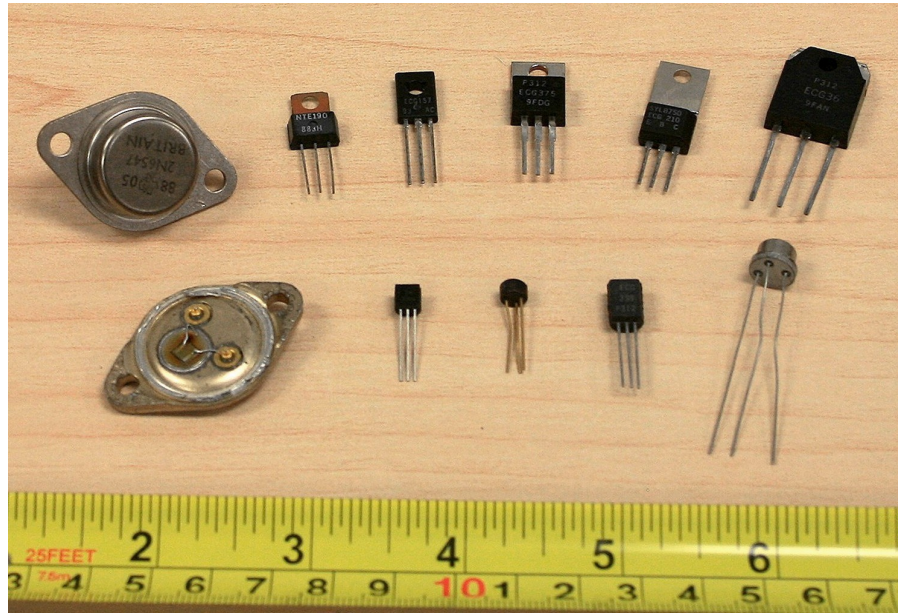


Figure 5, Transistors

Integrated Circuits

There are a very wide variety of integrated circuits. Multi-lead versions of the TO-5 can be sometimes used but the most common through-hole package is the Dual In-Line Package, denoted as DIP or DIL. A single in-line package is also available for some functions. High power devices often use multi-lead versions of the popular TO-220 and TO-3 case styles. Like other semiconductors, component model numbers are printed directly on the package. A notch or dimple will denote which lead is pin 1 on the DIP/DIL cases.

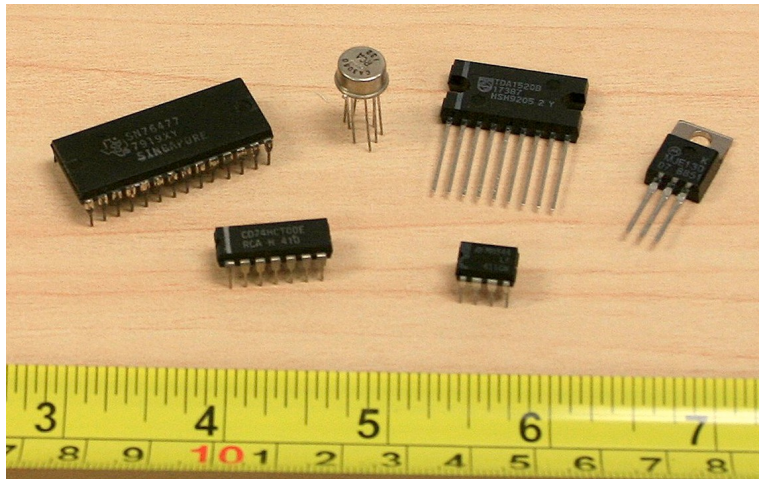


Figure 6, Integrated Circuits

Transformers

Transformers can vary from tiny audio devices to room size devices used in power generation and distribution. No matter the size, their job is a simple one: to isolate the source and load, to match two different impedance devices or to change the voltage level. A very common application is stepping down a 120 VAC line voltage to a more modest level so that it can be rectified, filtered, and turned into a stable DC source to drive electronic circuits. Besides the voltage turns ratio, the most important characteristic is the VA or volt-amps rating of the device. All other factors being equal, the higher the VA rating, the larger the transformer. Transformers applicable for consumer electronics may be either chassis mount with leads or PCB mount with through-hole pins. Transformers **only** operate with AC voltages.

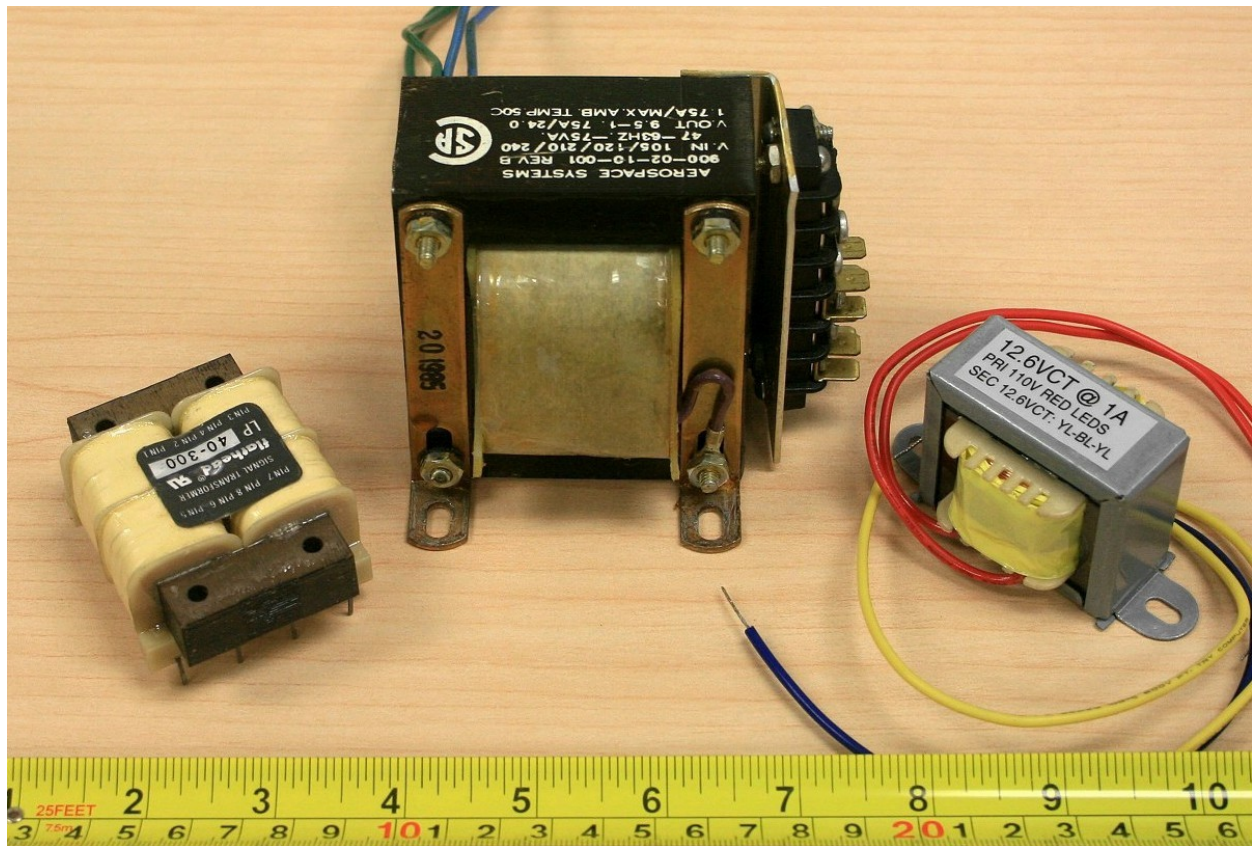


Figure 7, Transformers

Heat Sinks

Heat sinks are not a device, per se, but they are essential tools of semiconductor heat management. Their job is to effectively move heat from the semiconductor's case to the surrounding air, keeping the semiconductor cool. They range in size from small clip-ons to large extruded aluminum finned plates. Some cases, such as the body of the TO-3 or the tab of the TO-220 are electrically live. To prevent possible shorts and a live chassis, non-conductive isolating tabs and grommets are used to attach the semiconductors to the heat sink.

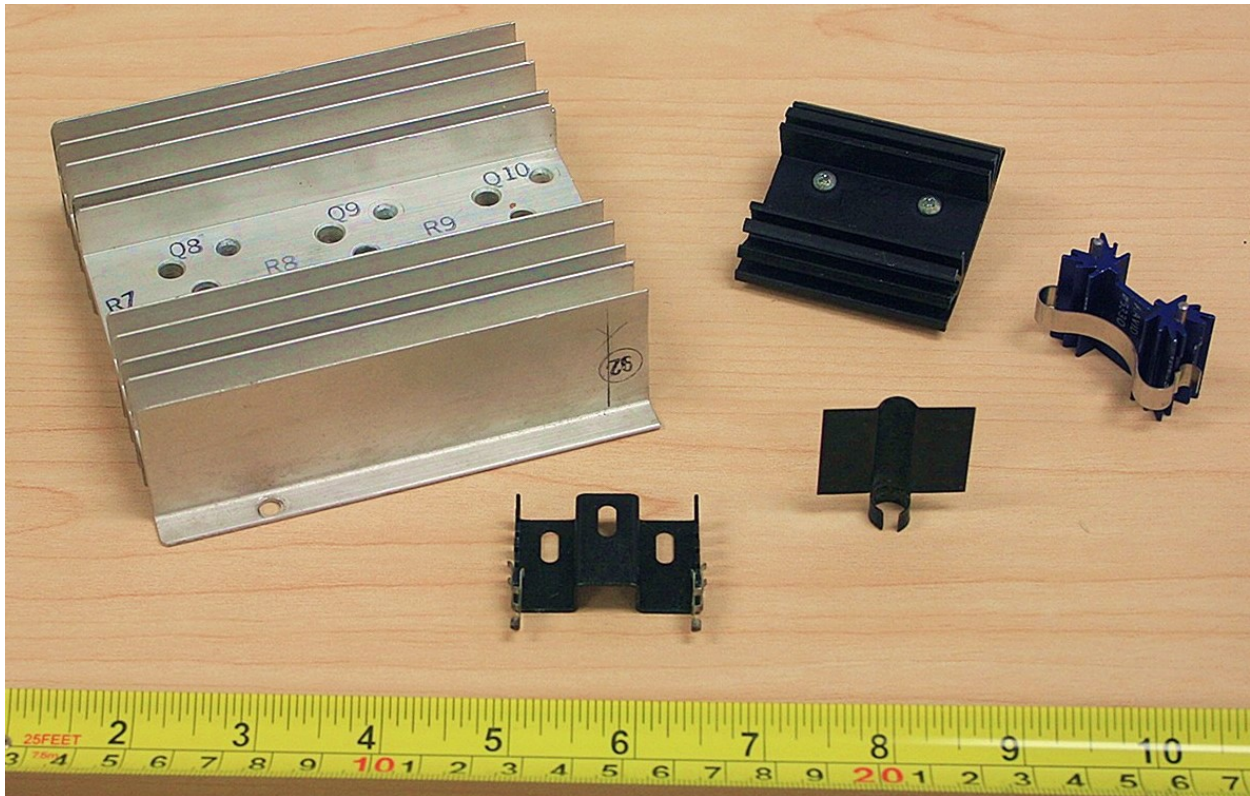


Figure 8, Heat Sinks

2 Resistive Sensors

Objective

The objective of this exercise is to investigate devices that can be used to sense environmental factors such as light and temperature. These are important if circuitry is to react to surrounding conditions, for example, controlling fan speed that is proportional to temperature or turning lights on or off depending on existing light levels. Two such devices are the light dependent resistor or LDR, and the thermistor or temperature dependent resistor. They can be thought of as resistors whose values depend on either the surrounding light levels or the temperature.

Theory Overview

One typical LDR is the CdS (Cadmium Sulfide) cell. The resistance of the CdS cell is inversely proportional to light levels. In darkness, it may exhibit a resistance of tens or even hundreds of kilo ohms. Under high brightness, the resistance may be as little as a few hundred ohms. Thermistors come in two types: PTC or Positive Temperature Coefficient whose resistive value increases with temperature, and NTC or Negative Temperature Coefficient whose resistance decreases with increasing temperature. In contrast, ordinary resistors are designed to be immune to temperature change as much as possible.

One way of using these devices is by placing them in a voltage divider. The resulting voltage will reflect the light levels or temperature. Depending on the position of the device, the voltage can be made to either increase or decrease as the environmental factor increases. For example, the voltage could rise as temperature rises but it could also be designed to have the voltage decrease as temperature rises. Both functions have their uses. Finally, it is worth noting that these devices do not necessarily respond immediately to environmental changes. For example, a thermistor might be used to sense air temperature. If the air temperature were to suddenly rise, there would be some time lag in the response of the thermistor. This is due to the fact that the thermistor itself has mass and requires some time to either heat up or cool down.

Equipment

- (1) Adjustable DC power supply model: _____ srn: _____
- (1) DMM model: _____ srn: _____
- (1) Non-diffuse light source (pen light)
- (1) Heat source (diffused light duty heat gun or blow dryer)
- (1) Nominal 1 k Ω – 10 k Ω CdS cell (GL5528)
- (1) 10 k Ω @ 25°C NTC thermistor (Vishay NTCLE100E3)
- (1) 10 k Ω resistor ¼ watt actual: _____

CdS cell datasheet: <http://cdn.sparkfun.com/datasheets/Sensors/LightImaging/SEN-09088.pdf>

Thermistor datasheet: <http://www.vishay.com/docs/29049/ntcle100.pdf>

Schematics

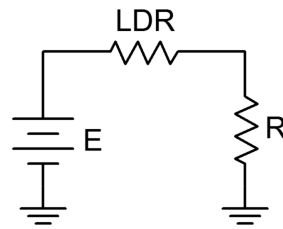


Figure 1

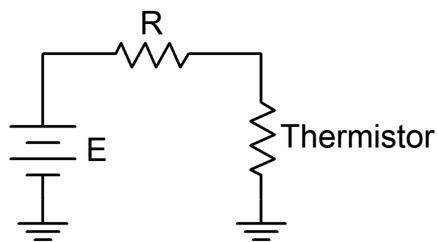


Figure 2

Procedure

LDR

1. Use the DMM to measure the resistance of the LDR. Do this away from any windows and do not block ambient room lighting from hitting the device. Record the resistance value in Table 1 under “Normal”.
2. Place a finger over the LDR to block all light, making sure that the leads are not also touched. Record the resulting resistance value under “Dark”.
3. Shine the pen light directly onto the LDR at a distance of about 25 centimeters. Record the result under “Bright”.
4. Construct the circuit of Figure 1 using $E=10$ volts and $R=10\text{ k}\Omega$. Using the voltage divider rule, determine the expected value for the voltage across R under normal lighting and then measure the voltage. Record these values in Table 2.

5. Repeat step 4 for the Dark and Bright conditions.
6. Finally, slowly move the pen light toward and away from the LDR. Note what happens to the voltage, recording the maximum and minimum voltages obtained in Table 3.

Thermistor

7. Use the DMM to measure the resistance of the LDR at room temperature and record the result in Table 4. Do not handle the device excessively as body heat may affect it.
8. Build the circuit of Figure 2 using $E=10$ volts and $R=10$ k Ω . Measure the voltage across the thermistor and record it in Table 5 under “Room Temp”.
9. Monitor the thermistor voltage while applying heat. Caution: If you are using a standard heat gun, place it on a low setting, use a diffuser or keep the gun at least a half meter away to avoid possibly damaging connecting wires or the protoboard. After 30 to 60 seconds, record the thermistor voltage in Table 5. Turn off the heat source and note how long it takes the thermistor circuit to recover back to the original reading.

Data Tables

Variation	Resistance
Normal	
Dark	
Bright	

Table 1

Variation	V_R Theory	V_R Experiment	% Deviation
Normal			
Dark			
Bright			

Table 2

Variation	V_R
Maximum	
Minimum	

Table 3

R at room temperature	
-----------------------	--

Table 4

Variation	$V_{\text{thermistor}}$
Room Temp	
Hot	

Table 5

Questions

1. If the LDR and resistor positions had been swapped, how would the values of Table 2 change?
2. Would the voltages measured in Table 2 change appreciably if R had been 1 k Ω instead of 10 k Ω ?
3. If the positions of the thermistor and resistor in Figure 2 had been swapped, how would the Table 5 values change?
4. If 20 volt power sources had been used, how would the values of Tables 2 and 5 change, if at all?

3 Diode Curves

Objective

The objective of this exercise is to examine the operation of the basic switching diode and to plot its characteristic curve. Basic DC circuit operation will also be examined.

Theory Overview

The basic diode is an asymmetric non-linear device. That is, its current-voltage characteristic is not a straight line and it is sensitive to the polarity of an applied voltage or current. When placed in forward bias (i.e. positive polarity from anode to cathode), the diode will behave much like a shorted switch and allow current flow. When reversed biased the diode will behave much like an open switch, allowing little current flow. Unlike a switch, a silicon diode will exhibit an approximate 0.7 volt drop when forward biased. The precise voltage value will depend on the semiconductor material used. This volt drop is sometimes referred to as the *knee voltage* as the resulting I-V curve looks something like a bent knee.

The effective instantaneous resistance of the diode above the turn-on threshold is very small, perhaps a few ohms or less, and is often ignored. Analysis of diode circuits typically proceeds by determining if the diode is forward or reversed biased, substituting the appropriate approximation for the device, and then solving for desired circuit parameters using typical analysis techniques. For example, when forward biased, a silicon diode can be thought of as a fixed 0.7 volt drop, and then KVL and KCL can be applied as needed. The polarity of the device is typically denoted by a band placed closest to the cathode.

Equipment

- | | | |
|--|---------------|------------|
| (1) Adjustable DC power supply | model: _____ | srn: _____ |
| (1) DMM | model: _____ | srn: _____ |
| (2) Signal diodes (1N4148, 1N914) | | |
| (1) 1 k Ω resistor $\frac{1}{4}$ watt | actual: _____ | |
| (1) 10 k Ω resistor $\frac{1}{4}$ watt | actual: _____ | |
| (1) 4.7 k Ω resistor $\frac{1}{4}$ watt | actual: _____ | |

1N4148/1N914 Datasheet: <https://www.onsemi.com/pub/Collateral/1N914-D.PDF>

Schematics

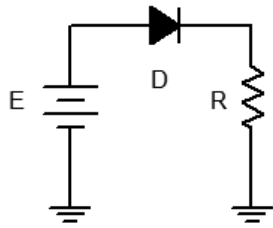


Figure 1

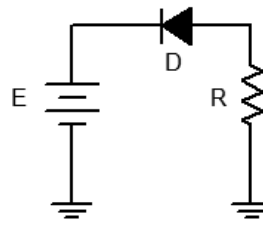


Figure 2

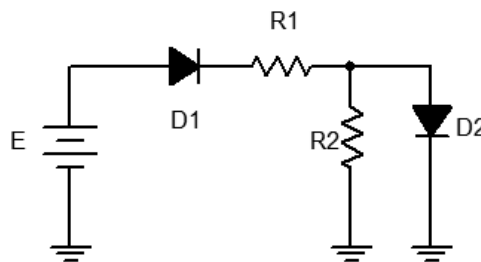


Figure 3

Procedure

Forward Curve

1. Consider the circuit of Figure 1 using $R = 1 \text{ k}\Omega$. For any positive value of E , the diode should be forward biased. Once E exceeds the knee voltage, all of E (minus approximately 0.7 volts) drops across R . Thus, as E increases, so does the diode current.
2. Build the circuit of Figure 1 using $R = 1 \text{ k}\Omega$. Set E to 0 volts and measure both the diode's voltage and current and record the results in Table 1. Remember, voltage is measured across a device (parallel) while current is measured through it (series). Repeat this process for the remaining source voltages listed.
3. From the data collected in Table 1, plot the current versus voltage characteristic of the forward biased diode. Make sure V_D is the horizontal axis with I_D on the vertical.

Reverse Curve

4. Consider the circuit of Figure 2 using $R = 1 \text{ k}\Omega$. For any positive value of E , the diode should be reversed biased. In this case, the diode should always behave like an open switch and thus no current should flow. If no current flows, the voltage across R should be zero, and thus the diode voltage should be equal to the applied source voltage. Note that the diode's voltage polarity is negative with respect to that of Figure 1.

5. Build the circuit of Figure 2 using $R = 1 \text{ k}\Omega$. Set E to 0 volts and measure both the diode's voltage and current and record the results in Table 2. Repeat this process for the remaining source voltages listed.
6. From the data collected in Table 2, plot the current versus voltage characteristic of the reverse biased diode. Make sure V_D is the horizontal axis with I_D on the vertical.

Practical Analysis

7. Consider the circuit of Figure 3 using $E = 12$ volts, $R_1 = 10 \text{ k}\Omega$ and $R_2 = 4.7 \text{ k}\Omega$. Analyze the circuit using the ideal 0.7 volt forward drop approximation and determine the voltages across the two resistors. Record the results in the first two columns of the first row (Variation 1) of Table 3.
8. Build the circuit of Figure 3 using $E = 12$ volts, $R_1 = 10 \text{ k}\Omega$ and $R_2 = 4.7 \text{ k}\Omega$. Measure the voltages across the two resistors. Record the results in columns three and four of the first row (Variation 1) of Table 3. Also compute and record the percent deviations in columns four and five.
9. Reverse the direction of D_1 and repeat steps 7 and 8 as Variation 2 in Table 3.
10. Return D_1 to the original orientation and reverse the direction of D_2 . Repeat steps 7 and 8 as Variation 3 in Table 3.
11. Reverse the direction of both D_1 and D_2 , and repeat steps 7 and 8 as Variation 4 in Table 3.

Computer Simulation

12. Repeat steps 7 through 11 using a simulator, recording the results in Table 4.

Data Tables

E (volts)	V_D	I_D
0		0
0.5		
1		
2		
4		
6		
8		
10		

Table 1

E (volts)	V_D	I_D
0		
1		
2		
5		
10		
15		

Table 2

Variation	V_{R1} Theory	V_{R2} Theory	V_{R1} Exp	V_{R2} Exp	% Dev V_{R1}	% Dev V_{R2}
1						
2						
3						
4						

Table 3

Variation	$V_{R1 \text{ Sim}}$	$V_{R2 \text{ Sim}}$
1		
2		
3		
4		

Table 4

Questions

1. Is 0.7 volts a reasonable approximation for a forward bias potential? Is an open circuit a reasonable approximation for a reverse biased diode? Support your arguments with experimental data.
2. The “average” resistance of a forward biased diode can be computed by simply dividing the diode's voltage by its current. Using Table 1, determine the smallest average diode resistance (show work).
3. The instantaneous resistance (also known as AC resistance) of a diode may be approximated by taking the differences between adjacent current-voltage readings. That is, $r_{\text{diode}} = \Delta V_{\text{diode}} / \Delta I_{\text{diode}}$. What are the smallest and largest resistances using Table 1 (show work)? Based on this, what would a plot of instantaneous diode resistance versus diode current look like?
4. If the circuit of Figure 3 had been constructed with LEDs in place of switching diodes, would there be any changes to the values measured in Table 3? Why/why not?

4 Light Emitting Diodes

Objective

This exercise examines the general performance and use of light emitting diodes. This includes forward bias and reverse bias characterization along with brightness variation.

Theory Overview

The LED is similar to the ordinary signal or rectifying diode in that it is polarity sensitive. In reverse bias the device behaves as an open and prevents current flow. In forward bias, the device allows current flow once its forward barrier potential is reached. This potential is significantly higher than that of ordinary diodes and depends on the material used, and hence, the color that is displayed. Generally, luminous intensity is a function of the forward current. That is, the greater the current, the brighter the output. In operation, a series limiting resistor or other control device must be used to limit the forward current and prevent damage that could occur to the LED from excessive current. Different technologies are used in the design and production of LEDs and there are many variations including full spectrum (white) and high brightness versions. The cathode of an LED is typically denoted by a flat spot on the plastic casing and/or by the shorter of the two leads.

Equipment

- (1) Adjustable DC power supply model: _____ srn: _____
- (1) DMM model: _____ srn: _____
- (1) Each of standard LEDs of various colors (red, blue, green, yellow)
- (1) High brightness white LED
- (1) 1 k Ω resistor $\frac{1}{4}$ watt actual: _____

Standard red LED Datasheet:

<https://www.sparkfun.com/datasheets/Components/LED/COM-09590-YSL-R531R3D-D2.pdf>

High brightness white LED Datasheet:

<http://cdn.sparkfun.com/datasheets/Components/General/YSL-R1042WC-D15.pdf>

Schematics

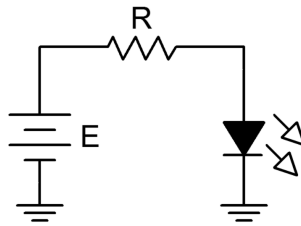


Figure 1

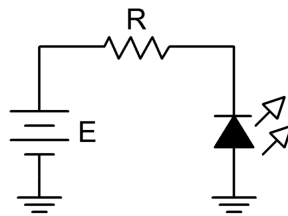


Figure 2

Procedure

Forward Curve

1. Consider the circuit of Figure 1 using $R = 1\text{ k}\Omega$. For any positive value of E , the diode should be forward biased. Once E exceeds the knee voltage, the difference between the source and the knee drops across R . Thus, as E increases, so does the LED current and hence its brightness.
2. Build the circuit of Figure 1 using $R = 1\text{ k}\Omega$ and the red LED. Set E to 0 volts and measure both the LED voltage and current and record the results in Table 1. Note the relative brightness level. Repeat this process for the remaining source voltages listed.
3. From the data collected in Table 1, plot the current versus voltage characteristic of the forward biased LED. Make sure V_D is the horizontal axis with I_D on the vertical.
4. Repeat steps 2 and 3 for the blue LED using Table 2.
5. If other colors are available repeat steps 2 and 3 for them using Table 3 (create other tables as needed).

High Brightness

6. Replace the LED of Figure 1 with the high brightness white LED. Set the supply to 12 volts. Record the LED voltage, current and brightness in Table 4.

Reverse Curve

7. Consider the circuit of Figure 2 using $R = 1\text{ k}\Omega$. For any positive value of E , the LED should be reversed biased. In this case, the LED should always be open causing no current to flow. If no current flows, the LED produces no light. Also, the voltage across R should be zero, and thus the LED voltage should be equal to the applied source voltage. Note that the LED voltage polarity is negative with respect to that of Figure 1.
8. Build the circuit of Figure 2 using $R = 1\text{ k}\Omega$ using the red LED. Set E to 0 volts and measure both the LED voltage and current and record the results in Table 5. Repeat this process for the remaining source voltages listed.
9. From the data collected in Table 5, plot the current versus voltage characteristic of the reverse biased diode. Make sure V_D is the horizontal axis with I_D on the vertical.

Data Tables

E (volts)	V_D	I_D	Brightness
0			
1			
2			
3			
4			
6			
12			

Table 1, Color: Red

E (volts)	V_D	I_D	Brightness
0			
1			
2			
3			
4			
6			
12			

Table 2, Color: Blue

E (volts)	V_D	I_D	Brightness
0			
1			
2			
3			
4			
6			
12			

Table 3, Color:

E (volts)	V_D	I_D	Brightness
12			

Table 4, High Brightness

E (volts)	V_D	I_D
0		
1		
3		
8		

Table 5

Questions

1. Is the forward knee voltage of an LED comparable to that of ordinary switching and rectifying diodes?
2. Are the knee voltages of LEDs consistent across colors?
3. Compare the reverse characteristics of LEDs and switching diodes.
4. What can be said regarding LED brightness and current?

5 Photodiodes

Objective

The objective of this exercise is to examine the operation of the photodiode in both the photovoltaic and photoconductive modes.

Theory Overview

The photodiode is, in essence, the reverse of the LED. In fact, depending on their design, LEDs can be used as a type of photodiode. Photodiodes are responsive to light in one of two ways. The first method is the photovoltaic mode. In this mode, a voltage appears across the PN junction that is proportional to the amount of light striking it. It can be thought of as a small voltage source or battery. The second mode is photoconductive. In this mode, the photodiode is reverse biased by an external DC supply. The amount of current flowing through the diode will be proportional to the amount of light striking the junction. Typically, this current will pass through a series resistor to create a voltage or it can be sent into a current amplifier circuit.

A photo emitter/detector pair is a pairing of an LED and a photodiode that are designed to produce and detect the same wavelength of light. The wavelength of light may be outside the range of the human visible spectrum. Infrared (IR) is often used for consumer remote control devices. Emitter/detector pairs might use a phototransistor in place of a photodiode. The performance is similar except that photodiodes tend to have a quicker response while phototransistors tend to produce higher currents.

Equipment

- (1) Adjustable DC power supply model: _____ srn: _____
- (1) DMM model: _____ srn: _____
- (1) Non-diffuse light source (pen light)
- (1) Yellow LED
- (1) Blue LED
- (1) IR emitter/detector pair (Lite-On LTE-302 emitter, LTR-301 detector)
- (1) 470 Ω resistor $\frac{1}{4}$ watt actual: _____
- (1) 33 k Ω resistor $\frac{1}{4}$ watt actual: _____

IR Emitter Datasheet: <http://optoelectronics.liteon.com/upload/download/DS-50-92-0009/E302.pdf>

IR Detector Datasheet: <http://optoelectronics.liteon.com/upload/download/DS-50-93-0013/LTR-301.pdf>

Schematic

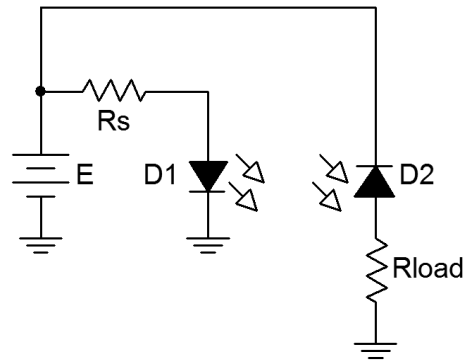


Figure 1

Procedure

LED as Detector

1. Most LEDs can be used as light detectors. In photovoltaic mode, the output potential is a function of the light level and the make-up of the device (i.e., typically its color). Insert a yellow LED into a protoboard with nothing obstructing it. Place a DMM across it and measure the resulting DC voltage, recording it in Table 1 under “Normal”.
2. Shade the LED so that minimal light strikes it and measure the resulting voltage. Record the value in Table 1 under “Dark”.
3. Using the pen light, illuminate the LED from a distance of approximately 10 centimeters, measure and record the voltage in Table 1 under “Bright”. Also, slowly vary the distance of the pen light from a few centimeters to 20 or so and note what happens to the voltage.
4. Replace the yellow LED with the blue LED and repeat steps 1 through 3.

IR Emitter/Detector Pair

5. Figure 1 shows an emitter/detector pair. These devices will emit and detect light at the same wavelength and tend to not produce or detect light at other wavelengths. This aids in avoiding interference. The detector is configured in photoconductive mode. Its current will increase with increasing light level. This current also flows through R_{load} meaning that V_{load} will be proportional to light level.
6. Build the circuit of Figure 1 using $E = 7$ volts, $R_s = 470 \Omega$ and $R_{load} = 33 \text{ k}\Omega$. The emitter diode is denoted with a yellow dot on its case while the detector diode shows a red dot. It is very important

that the pair properly be aligned. The bubbles should face each other and cases should be at same height, effectively aiming one bubble at the other. Further, they should only be a few millimeters apart. Finally, the short leads indicate the cathodes.

7. Energize the circuit. Because this pair operates in the infrared, nothing will be apparent to the human eye. Verify that the emitter is operating by measuring the voltage across it. It should be in the vicinity of 1.1 volts.
8. Measure V_{load} and record the value in Table 2.
9. Slip an opaque card such as a thin piece of black plastic or cardboard between the emitter/detector pair. Measure and record V_{load} in Table 2.

Data Tables

Variation	$V_{LED-YELLOW}$	$V_{LED-BLUE}$
Normal		
Dark		
Bright		

Table 1

Variation	V_{LOAD}
Open	
Blocked	

Table 2

Questions

1. What is the effect of light intensity on the LED when used in photovoltaic mode?
2. What influence does the color of the LED have on the voltage produced when used in photovoltaic mode?
3. What is the correlation between V_{load} and light level in Figure 1? Give at least two examples of where this effect might be put to good use.
4. Why might an infrared emitter/detector system be used in consumer electronics in place of ordinary visible light emitter/detectors?

6 The Zener Diode

Objective

The objective of this exercise is to examine the operation of the Zener diode and to plot its characteristic curve.

Theory Overview

When forward biased, the Zener diode behaves similarly to an ordinary switching diode, that is, it incurs a 0.7 volt drop for silicon devices. Unlike a switching diode, the Zener is normally placed in reverse bias. If the circuit potential is high enough, the Zener will exhibit a fixed voltage drop. This is called the Zener potential or V_Z . Manufacturer's specify this voltage with respect to the Zener test current, or I_{ZT} , a point past the knee of the voltage-current curve. That is, if the Zener's current is at least equal to I_{ZT} , then its voltage is approximately equal to the rated V_Z . Above this current, even very large increases in current will produce only very modest changes in voltage. Therefore, for basic circuit analysis, the Zener can be replaced mathematically by a fixed voltage source equal to V_Z . In practice, some series resistance is usually required to limit the current to a value below the Zener's maximum in order to prevent damage.

Equipment

- | | | |
|---|---------------|------------|
| (1) Adjustable DC power supply | model: _____ | srn: _____ |
| (1) DMM | model: _____ | srn: _____ |
| (1) Zener diode around 5.1 volts (NZX5V1B, 1N751) | | |
| (1) 2.2 k Ω resistor $\frac{1}{4}$ watt | actual: _____ | |
| (1) 4.7 k Ω resistor $\frac{1}{4}$ watt | actual: _____ | |

NZX5V1B Datasheet: https://assets.nexperia.com/documents/data-sheet/NZX_SER.pdf

1N751 Datasheet: <http://www.digtroncorp.com/Documents/Datasheets/1N746-1N759A,-1N4370-1N4372A.aspx?ext=.pdf>

Schematics

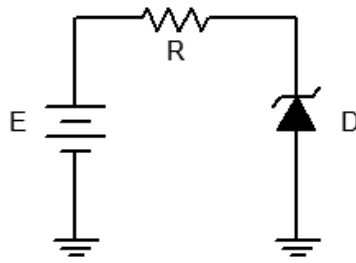


Figure 1

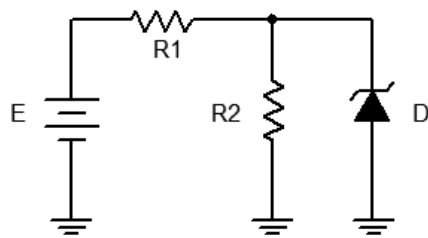


Figure 2

Procedure

Reverse Curve

1. Consider the circuit of Figure 1 using $R = 2.2 \text{ k}\Omega$. For any positive value of E the Zener is reverse biased. Until the Zener potential is reached, the diode resistance is effectively infinite and thus no current flows. In this case the voltage across R is zero due to Ohm's law. Consequently, all of E should appear across the Zener. Once the source exceeds the Zener voltage, the remainder of E (i.e. E minus the Zener potential) drops across R . Thus, as E increases, the circulating current increases but the voltage across the zener remains steady.
2. Build the circuit of Figure 1 using $R = 2.2 \text{ k}\Omega$. Set E to 0 volts and measure both the diode's voltage and current and record the results in Table 1. Repeat this process for the remaining source voltages listed.
3. From the data collected in Table 1, plot the current versus voltage characteristic of the reverse biased diode. Make sure V_D is the horizontal axis with I_D on the vertical.

Practical Analysis

4. Consider the circuit of Figure 2 using $R1 = 2.2 \text{ k}\Omega$ and $R2 = 4.7 \text{ k}\Omega$. In general, to analyze circuits like this, first assume that the Zener is out of the circuit and then compute the voltage across $R2$ using the voltage divider rule. If the resulting voltage is less than the Zener potential then the Zener is

inactive (high resistance) and does not affect the circuit. If, on the other hand, the resulting voltage is greater than the Zener potential then the Zener is active and will limit the voltage across R2 to V_Z . Via KVL, the remainder of the voltage drops across R1 and from this the supply current may be determined. This current will then split between R2 and the Zener. The R2 current is found using Ohm's law. The Zener current is then found via KCL. Note that for higher and higher values of E, the voltage across (and therefore the current through) R2 does not change. Instead, all of the "excess" current from the source passes through the Zener.

5. Build the circuit of Figure 2 using $R1 = 2.2 \text{ k}\Omega$ and $R2 = 4.7 \text{ k}\Omega$. Set E to 2 volts. Compute the theoretical diode voltage and current, and record them in the first row of Table 2. Then measure the diode current and voltage and record in Table 2. Finally, compute and record the deviations.
6. Repeat step 5 for the remaining source voltages in Table 2.

Computer Simulation

7. Repeat steps 5 and 6 using a simulator, recording the results in Table 3.

Data Tables

E (volts)	V_D	I_D
0		
1		
2		
5		
10		
15		
20		

Table 1

E (volts)	$V_{D \text{ Theory}}$	$I_{D \text{ Theory}}$	$V_{D \text{ Exp}}$	$I_{D \text{ Exp}}$	% Dev V_D	% Dev I_D
2						
5						
10						
15						
20						

Table 2

E (volts)	$V_{D \text{ Sim}}$	$I_{D \text{ Sim}}$
2		
5		
10		
15		
20		

Table 3

Questions

1. Is it safe to assume that the voltage across a Zener is always equal to the rated V_Z ? Why/why not?

2. The instantaneous resistance (also known as AC resistance) of a diode may be approximated by taking the differences between adjacent current-voltage readings. That is, $r_{\text{diode}} = \Delta V_{\text{diode}} / \Delta I_{\text{diode}}$. What is the smallest effective resistance of the Zener using Table 1 (show work)?

7A The Oscilloscope (Tektronix MDO3000)

Objective

This exercise is of a particularly practical nature, namely, introducing the use of the oscilloscope. The various input scaling, coupling, and triggering settings are examined along with a few specialty features.

Theory Overview

The oscilloscope (or simply *scope*, for short) is arguably the single most useful piece of test equipment in an electronics laboratory. The primary purpose of the oscilloscope is to plot a voltage versus time although it can also be used to plot one voltage versus another voltage, and in some cases, to plot voltage versus frequency. Oscilloscopes are capable of measuring both AC and DC waveforms, and unlike typical DMMs, can measure AC waveforms of very high frequency (typically 100 MHz or more versus an upper limit of around 1 kHz for a general purpose DMM). It is also worth noting that a DMM will measure the RMS value of an AC sinusoidal voltage, not its peak value.

While the modern digital oscilloscope on the surface appears much like its analog ancestors, the internal circuitry is far more complicated and the instrument affords much greater flexibility in measurement. Modern digital oscilloscopes typically include measurement aides such as horizontal and vertical cursors or bars, as well as direct readouts of characteristics such as waveform amplitude and frequency. At a minimum, modern oscilloscopes offer two input measurement channels although four and eight channel instruments are increasing in popularity.

Unlike handheld DMMs, most oscilloscopes measure voltages with respect to ground, that is, the inputs are not floating and thus the black, or ground, lead is **always** connected to the circuit ground or common node. This is an extremely important point as failure to remember this may lead to the inadvertent short circuiting of components during measurement. The standard accepted method of measuring a non-ground referenced potential is to use two probes, one tied to each node of interest, and then setting the oscilloscope to subtract the two channels rather than display each separately. Note that this technique is not required if the oscilloscope has floating inputs (for example, in a handheld oscilloscope). Further, while it is possible to measure non-ground referenced signals by floating the oscilloscope itself through defeating the ground pin on the power cord, this is a safety violation and should not be done.

Equipment

- | | | |
|---|--------------|------------|
| (1) DC power supply | model: _____ | srn: _____ |
| (1) Function generator | model: _____ | srn: _____ |
| (1) DMM | model: _____ | srn: _____ |
| (1) Oscilloscope, Tektronix MDO 3000 series | model: _____ | srn: _____ |

Components

- | | |
|-------------------|---------------|
| (1) 10 k Ω | actual: _____ |
| (1) 33 k Ω | actual: _____ |

Schematics and Diagrams

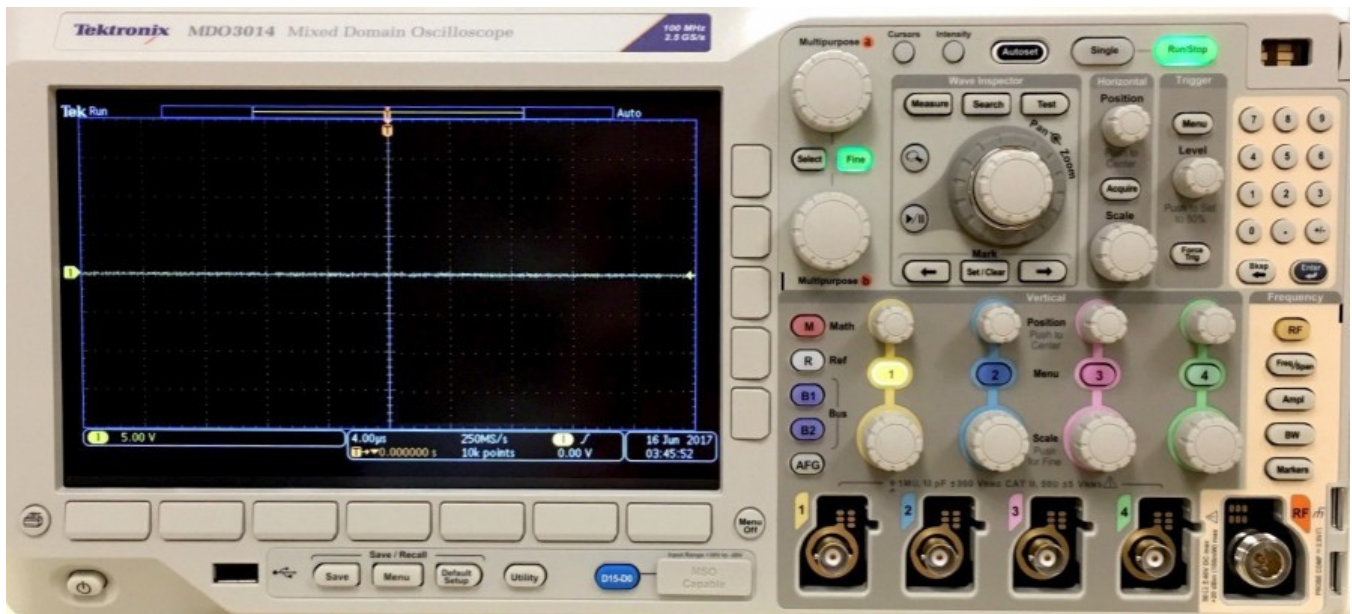


Figure 1

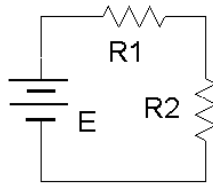


Figure 2

Procedure

1. Figure 1 is a photo of the face of a Tektronix MDO 3000 series oscilloscope. Compare this to the bench oscilloscope and identify the following elements:
 1. Channel one through four BNC input connectors.
 2. RF input connector and settings section.
 3. Channel one through four select buttons.
 4. Horizontal Scale (i.e., Sensitivity) and Position knobs.
 5. Four Vertical Scale (i.e., Sensitivity) and Position knobs.
 6. Trigger Level knob.
 7. *Math* and *Measure* (in *Wave Inspector*) buttons.
 8. *Save* button (below display).
 9. *Autoset* button.
 10. *Menu Off* button.

2. Note the numerous buttons along the bottom and side of the display screen. These menu buttons are context-sensitive and their function will depend on the most recently selected button or knob. Menus may be removed from the display by pressing the *Menu Off* button (multiple times for nested menus). Power up the oscilloscope. Note that the main display is similar to a sheet of graph paper. Each square will have an appropriate scaling factor or weighting, for example, 1 volt per division vertically or 2 milliseconds per division horizontally. Waveform voltages and timings may be determined directly from the display by using these scales.

3. Select the channel one and two buttons (yellow and blue) and also press the *Autoset* button. (*Autoset* tries to create reasonable settings based on the input signal and is useful as a sort of “panic button”). There should now be two horizontal lines on the display, one yellow and one blue. These traces may be moved vertically on the display via the associated Position knobs. Also, a trace can be removed by deselecting the corresponding channel button. The Vertical and Horizontal Scale knobs behave in a similar fashion and **do not** include calibration markings. That is because the settings for these knobs show up on the main display. Adjust the Scale knobs and note how the corresponding values at the bottom of the display change. Voltages are in a 1/2/5 scale sequence while Time is in a 1/2/4 scale sequence.

4. When an input is selected, a menu will pop up allowing control over that input's basic settings. One of the more important fundamental settings on an oscilloscope channel is the *Input Coupling*. This is controlled via one of the bottom row buttons. There are two choices: *AC* allows only AC signals through thus blocking DC, and *DC* allows **all** signals through (it does **not** prevent AC).
5. Set the channel one Vertical Scale to 5 volts per division. Set the channel two Scale to 2 volts per division. Set the Time (Horizontal) Scale to 1 millisecond per division. Finally, set the input Coupling to DC for both input channels and align the blue and yellow display lines to the center line of the display via the Vertical Position knob (note that pushing the vertical Position knobs will automatically center the trace).
6. Build the circuit of figure 2 using $E=10\text{ V}$, $R1=10\text{ k}\Omega$ and $R2=33\text{ k}\Omega$. Connect a probe from the channel one input to the power supply (red or tip to the positive terminal, black clip to ground). Connect a second probe from channel two to $R2$ (again, red or tip to the high side of the resistor and the black clip to ground).
7. The yellow and blue lines should have deflected upward. Channel one should be raised two divisions (2 divisions at 5 volts per division yields the 10 volt source). Using this method, determine the voltage across $R2$ (remember, input two should have been set for 2 volts per division). Calculate the expected voltage across $R2$ using measured resistor values and compare the two in Table 1. Note that it is not possible to achieve extremely high precision using this method (e.g., four or more digits). Indeed, a DMM is often more useful for direct measurement of DC potentials. Double check the results using a DMM and the final column of Table 1.
8. Select AC Coupling for the two inputs. The flat DC lines should drop back to zero. This is because AC Coupling blocks DC. This will be useful for measuring the AC component of a combined AC/DC signal, such as might be seen in an audio amplifier. Set the input coupling for both channels back to DC.
9. Replace the DC power supply with the function generator. Set the function generator for a one volt peak sine wave at 1 kHz and apply it to the resistor network. The display should now show two small sine waves. Adjust the Vertical Scale settings for the two inputs so that the waves take up the majority of the display. If the display is very blurry with the sine waves appearing to jump about side to side, the Trigger Level may need to be adjusted. Also, adjust the Time Scale so that only one or two cycles of the wave may be seen. Using the Scale settings, determine the two voltages (following the method of step 7) as well as the waveform's period and compare them to the values expected via theory, recording the results in Tables 2 and 3. Also crosscheck the results using a DMM to measure the RMS voltages.
10. To find the voltage across $R1$, the channel two voltage (voltage across $R2$) may be subtracted from channel one (E source) via the *Math* function. Use the red button to select the *Math* function and

create the appropriate expression from the menu (ch1 – ch2). This display shows up in red. To remove a waveform, press its button again. Remove the math waveform before proceeding to the next step.

11. One of the more useful aspects of the oscilloscope is the ability to show the actual waveshape. This may be used, for example, as a means of determining distortion in an amplifier. Change the waveshape on the function generator to a square wave, triangle, or other shape and note how the oscilloscope responds. Note that the oscilloscope will also show a DC component, if any, as the AC signal being offset or “riding on the DC”. Adjust the function generator to add a DC offset to the signal and note how the oscilloscope display shifts. Return the function generator back to a sine wave and remove any DC offset.
12. It is often useful to take precise differential measurement on a waveform. For this, the bars or cursors are useful. Select the *Cursors* button toward the top of the oscilloscope. From the menu on the display, select *Vertical Bars*. Two vertical bars will appear on the display (it is possible that one or both could be positioned off the main display). They may be moved left and right via the Multipurpose knobs (next to the *Cursors* button). The *Select* button toggles between independent and tandem cursor movement. A read out of the bar values will appear in the upper portion of the display. They indicate the positions of the cursors, i.e., the location where they cross the waveform. Vertical Bars are very useful for obtaining time information as well as amplitudes at specific points along the wave. A similar function is the Horizontal Bars which are particularly useful for determining amplitudes. Try the Horizontal Bars by selecting them via the *Cursors* menu again (holding the *Cursors* button will bring up the menu).
13. For some waveform parameters, automatic readings are available. These are accessed via the *Measure* button. Press *Measure*, select *Add Measurement*, and page through the various options using the Multipurpose knob. Select *Frequency*. Note that a small readout of the frequency will now appear on the display. Multiple measurements are possible simultaneously. **Important:** There are specific limits on the proper usage of these measurements. If the guidelines are not followed, erroneous values may result. **Always** perform an approximation via the Scale factor and divisions method even when using an automatic measurement!
14. Finally, a snap-shot of the screen may be saved for future work using the USB port and a USB memory stick via the *Save Menu* button. The pop up menu has options for saving the image as well as the trace data or setup info. Select *Save Screen Image* to save a bit mapped graphics file that can be used as is or processed further in a graphics program (for example, inverting the colors for printing). The .PNG format is recommended.

Data Tables

V_{R2}	Scale (V/Div)	Number of Divisions	Voltage Scope	Voltage DMM
Oscilloscope				
Theory	X	X		

Table 1

	Scale (V/Div)	Number of Divisions	Voltage Peak	Voltage RMS
E Oscilloscope				
E Theory	X	X		
V_{R2} Oscilloscope				
V_{R2} Theory	X	X		

Table 2

	Scale (S/Div)	Number of Divisions	Period	Frequency
E Oscilloscope				
E Theory	X	X		

Table 3

7B The Oscilloscope (Tektronix TDS 3000)

Objective

This exercise is of a particularly practical nature, namely, introducing the use of the oscilloscope. The various input scaling, coupling, and triggering settings are examined along with a few specialty features.

Theory Overview

The oscilloscope (or simply *scope*, for short) is arguably the single most useful piece of test equipment in an electronics laboratory. The primary purpose of the oscilloscope is to plot a voltage versus time although it can also be used to plot one voltage versus another voltage, and in some cases, to plot voltage versus frequency. Oscilloscopes are capable of measuring both AC and DC waveforms, and unlike typical DMMs, can measure AC waveforms of very high frequency (typically 100 MHz or more versus an upper limit of around 1 kHz for a general purpose DMM). It is also worth noting that a DMM will measure the RMS value of an AC sinusoidal voltage, not its peak value.

While the modern digital oscilloscope on the surface appears much like its analog ancestors, the internal circuitry is far more complicated and the instrument affords much greater flexibility in measurement. Modern digital oscilloscopes typically include measurement aides such as horizontal and vertical cursors or bars, as well as direct readouts of characteristics such as waveform amplitude and frequency. At a minimum, modern oscilloscopes offer two input measurement channels although four and eight channel instruments are increasing in popularity.

Unlike handheld DMMs, most oscilloscopes measure voltages with respect to ground, that is, the inputs are not floating and thus the black, or ground, lead is **always** connected to the circuit ground or common node. This is an extremely important point as failure to remember this may lead to the inadvertent short circuiting of components during measurement. The standard accepted method of measuring a non-ground referenced potential is to use two probes, one tied to each node of interest, and then setting the oscilloscope to subtract the two channels rather than display each separately. Note that this technique is not required if the oscilloscope has floating inputs (for example, in a handheld oscilloscope). Further, while it is possible to measure non-ground referenced signals by floating the oscilloscope itself through defeating the ground pin on the power cord, this is a safety violation and should not be done.

Equipment

- | | | |
|---|--------------|------------|
| (1) DC power supply | model: _____ | srn: _____ |
| (1) Function generator | model: _____ | srn: _____ |
| (1) DMM | model: _____ | srn: _____ |
| (1) Oscilloscope, Tektronix TDS 3000 series | model: _____ | srn: _____ |

Components

- | | |
|-------------------|---------------|
| (1) 10 k Ω | actual: _____ |
| (1) 33 k Ω | actual: _____ |

Schematics and Diagrams

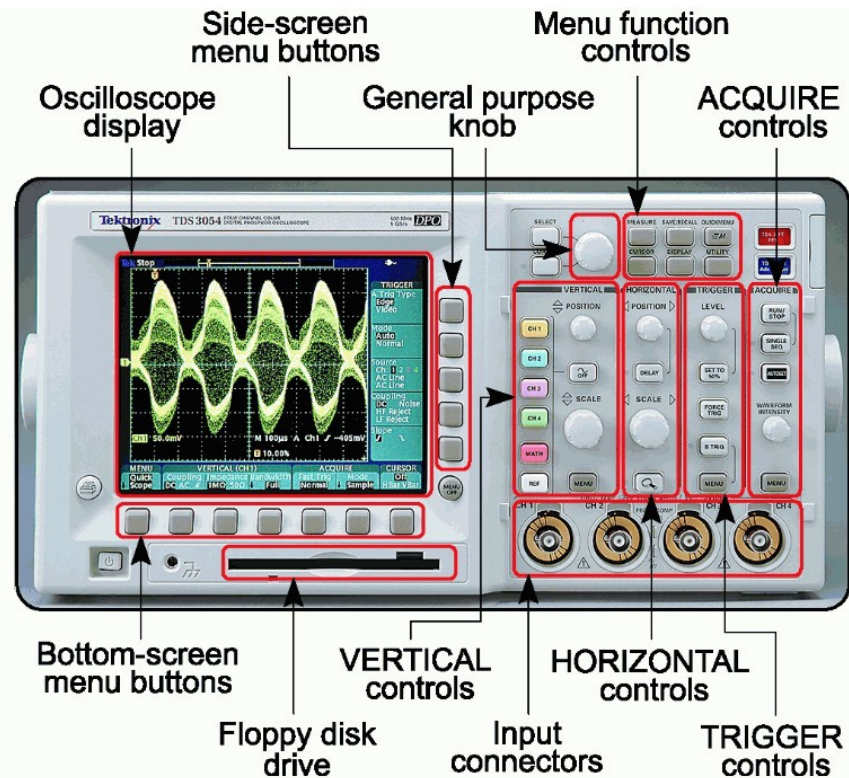


Figure 1A
(Four channel version shown)

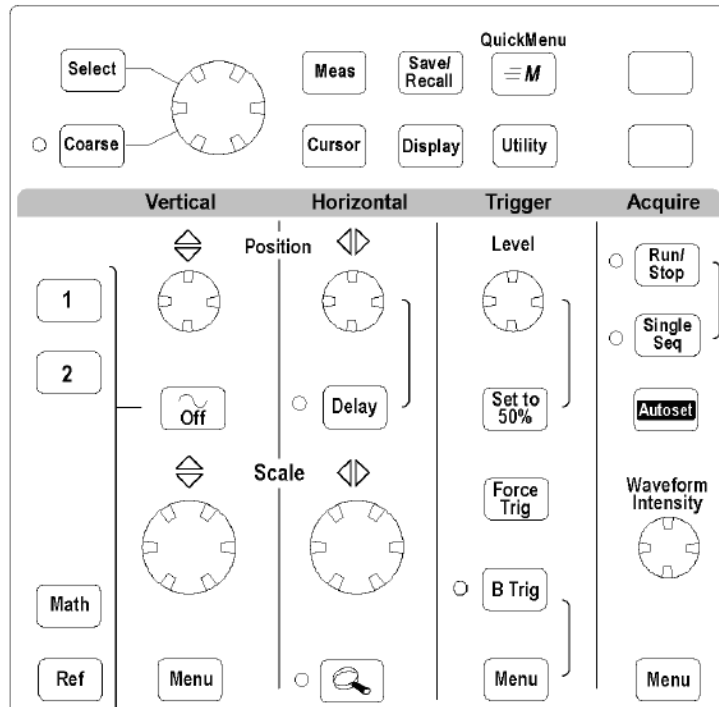


Figure 1B

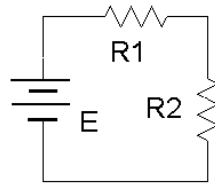


Figure 2

Procedure

1. Figure 1 is an outline of the main face of a Tektronix TDS 3000 series oscilloscope. Compare this to the bench oscilloscope and identify the following elements:
 - Channel one and two BNC input connectors.
 - Trigger BNC input connector.
 - Channel one and two select buttons.
 - Horizontal sensitivity (or Scale) and Position knobs.
 - Vertical sensitivity (or Scale) and Position knobs.
 - Trigger Level knob.
 - *Quick Menu* button.
 - *Print/Save* button.
 - *Autoset* button.
2. Note the numerous buttons along the bottom and side of the display screen. These buttons are context-sensitive and their function will depend on the mode of operation of the oscilloscope. Power up the oscilloscope and select the *Quick Menu* button. Notice that the functions are listed next to the buttons. This is a very useful menu and serves as a good starting point for most experiment setups. Note that the main display is similar to a sheet of graph paper. Each square will have an appropriate scaling factor or weighting, for example, 1 volt per division vertically or 2 milliseconds per division horizontally. Waveform voltages and timings may be determined directly from the display by using these scales.
3. Select the channel one and two buttons (yellow and blue) and also select the *Autoset* button. (*Autoset* tries to create reasonable settings based on the input signal and is useful as a sort of “panic button”). There should now be two horizontal lines on the display, one yellow and one blue. They may be moved via the Position knob. The Position knob moves the currently selected input (select the channel buttons alternately to toggle back and forth between the two inputs). The Vertical and Horizontal Scale knobs behave in a similar fashion and **do not** include calibration markings. That is because the settings for these knobs show up on the main display. Adjust the Scale knobs and note how the corresponding values in the display change. Voltages are in a 1/2/5 scale sequence while Time is in a 1/2/4 scale sequence.
4. One of the more important fundamental settings on an oscilloscope is the *Input Coupling*. This is controlled via one of the bottom row buttons. There are three choices: *Ground* removes the input thus showing a zero reference, *AC* allows only AC signals through thus blocking DC, and *DC* allows **all** signals through (it does **not** prevent AC).

5. Set the channel one Vertical Scale to 5 volts per division. Set the channel two Scale to 2 volts per division. Set the Time (Horizontal) Scale to 1 millisecond per division. Finally, set the input Coupling to Ground for both input channels and align the blue and yellow display lines to the center line of the display via the Vertical Position knob.
6. Build the circuit of Figure 2 using $E=10\text{ V}$, $R_1=10\text{ k}\Omega$ and $R_2=33\text{ k}\Omega$. Connect a probe from the channel one input to the power supply (red or tip to plus, black clip to ground). Connect a second probe from channel two to R_2 (again, red or tip to the high side of the resistor and the black clip to ground).
7. Switch both inputs to DC coupling. The yellow and blue lines should have deflected upward. Channel one should be raised two divisions (2 divisions at 5 volts per division yields the 10 volt source). Using this method, determine the voltage across R_2 (remember, input two should have been set for 2 volts per division). Calculate the expected voltage across R_2 using measured resistor values and compare the two in Table 1. Note that it is not possible to achieve extremely high precision using this method (e.g., four or more digits). Indeed, a DMM is often more useful for direct measurement of DC potentials. Double check the results using a DMM and the final column of Table 1.
8. Select AC Coupling for the two inputs. The flat DC lines should drop back to zero. This is because AC Coupling blocks DC. This will be useful for measuring the AC component of a combined AC/DC signal, such as might be seen in an audio amplifier. Set the input coupling for both channels back to DC.
9. Replace the DC power supply with the function generator. Set the function generator for a one volt peak sine wave at 1 kHz and apply it to the resistor network. The display should now show two small sine waves. Adjust the Vertical Scale settings for the two inputs so that the waves take up the majority of the display. If the display is very blurry with the sine waves appearing to jump about side to side, the Trigger Level may need to be adjusted. Also, adjust the Time Scale so that only one or two cycles of the wave may be seen. Using the Scale settings, determine the two voltages (following the method of step 7) as well as the waveform's period and compare them to the values expected via theory, recording the results in Tables 2 and 3. Also crosscheck the results using a DMM to measure the RMS voltages.
10. To find the voltage across R_1 , the channel two voltage (voltage across R_2) may be subtracted from channel one (E source) via the *Math* function. Use the red button to select the *Math* function and create the appropriate expression from the menu ($\text{ch1} - \text{ch2}$). This display shows up in red. To remove a waveform, select it and then select *Off*. Remove the math waveform before proceeding to the next step.
11. One of the more useful aspects of the oscilloscope is the ability to show the actual waveshape. This may be used, for example, as a means of determining distortion in an amplifier. Change the

waveshape on the function generator to a square wave, triangle, or other shape and note how the oscilloscope responds. Note that the oscilloscope will also show a DC component, if any, as the AC signal being offset or “riding on the DC”. Adjust the function generator to add a DC offset to the signal and note how the oscilloscope display shifts. Return the function generator back to a sine wave and remove any DC offset.

12. It is often useful to take precise differential measurement on a waveform. For this, the bars or cursors are useful. Select the *Cursor* button toward the top of the oscilloscope. From the menu on the display, select *Vertical Bars*. Two vertical bars will appear on the display (it is possible that one or both could be positioned off the main display). They may be moved left and right via the function knob (next to the *Cursor* button). The *Select* button toggles between the two cursors. A read out of the bar values will appear in the upper portion of the display. They indicate the positions of the cursors, i.e. the location where they cross the waveform. Vertical Bars are very useful for obtaining time information as well as amplitudes at specific points along the wave. A similar function is the Horizontal Bars which are particularly useful for determining amplitudes. Try the Horizontal Bars by selecting them via the *Cursor* button again.
13. For some waveform parameters, automatic readings are available. These are accessed via the *Meas* (Measurement) button. Select *Meas* and page through the various options. Select *Frequency*. Note that a small readout of the frequency will now appear on the display. Up to four measurements are possible simultaneously. **Important:** There are specific limits on the proper usage of these measurements. If the guidelines are not followed, erroneous values may result. **Always** perform an approximation via the Scale factor and divisions method even when using an automatic measurement !
14. Finally, a snap-shot of the screen may be saved for future work using the floppy disk drive via the *Printer* button. The result will be a bit mapped graphics file that can be used as is or processed further in a graphics program (for example, inverting the colors for printing).

Data Tables

V_{R2}	Scale (V/Div)	Number of Divisions	Voltage Scope	Voltage DMM
Oscilloscope				
Theory	X	X		

Table 1

	Scale (V/Div)	Number of Divisions	Voltage Peak	Voltage RMS
E Oscilloscope				
E Theory	X	X		
V_{R2} Oscilloscope				
V_{R2} Theory	X	X		

Table 2

	Scale (S/Div)	Number of Divisions	Period	Frequency
E Oscilloscope				
E Theory	X	X		

Table 3

7C The Oscilloscope (GWInstek 2000)

Objective

This exercise is of a particularly practical nature, namely, introducing the use of the oscilloscope. The various input scaling, coupling, and triggering settings are examined along with a few specialty features.

Theory Overview

The oscilloscope (or simply *scope*, for short) is arguably the single most useful piece of test equipment in an electronics laboratory. The primary purpose of the oscilloscope is to plot a voltage versus time although it can also be used to plot one voltage versus another voltage, and in some cases, to plot voltage versus frequency. Oscilloscopes are capable of measuring both AC and DC waveforms, and unlike typical DMMs, can measure AC waveforms of very high frequency (typically 100 MHz or more versus an upper limit of around 1 kHz for a general purpose DMM). It is also worth noting that a DMM will measure the RMS value of an AC sinusoidal voltage, not its peak value.

While the modern digital oscilloscope on the surface appears much like its analog ancestors, the internal circuitry is far more complicated and the instrument affords much greater flexibility in measurement. Modern digital oscilloscopes typically include measurement aides such as horizontal and vertical cursors or bars, as well as direct readouts of characteristics such as waveform amplitude and frequency. At a minimum, modern oscilloscopes offer two input measurement channels although four and eight channel instruments are increasing in popularity.

Unlike handheld DMMs, most oscilloscopes measure voltages with respect to ground, that is, the inputs are not floating and thus the black, or ground, lead is **always** connected to the circuit ground or common node. This is an extremely important point as failure to remember this may lead to the inadvertent short circuiting of components during measurement. The standard accepted method of measuring a non-ground referenced potential is to use two probes, one tied to each node of interest, and then setting the oscilloscope to subtract the two channels rather than display each separately. Note that this technique is not required if the oscilloscope has floating inputs (for example, in a handheld oscilloscope). Further, while it is possible to measure non-ground referenced signals by floating the oscilloscope itself through defeating the ground pin on the power cord, this is a safety violation and should not be done.

Equipment

- | | | |
|--|--------------|------------|
| (1) DC power supply | model: _____ | srn: _____ |
| (1) Function generator | model: _____ | srn: _____ |
| (1) DMM | model: _____ | srn: _____ |
| (1) Oscilloscope, GWInstek 2000 series | model: _____ | srn: _____ |

Components

- | | |
|-------------------|---------------|
| (1) 10 k Ω | actual: _____ |
| (1) 33 k Ω | actual: _____ |

Schematics and Diagrams

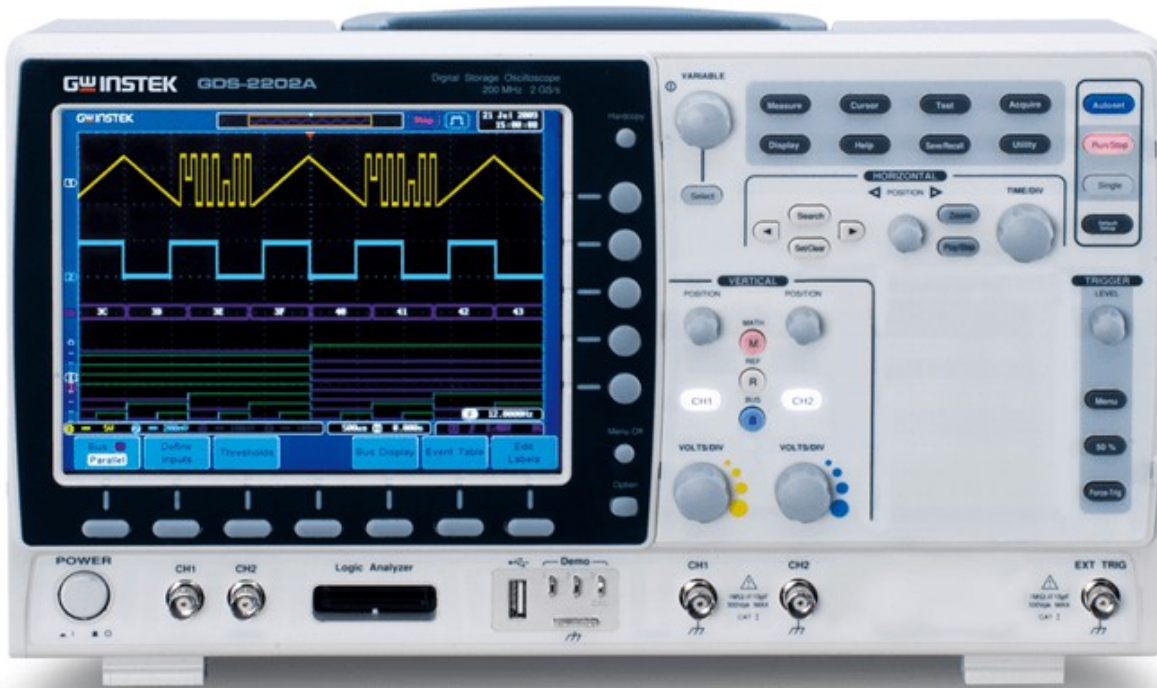


Figure 1A

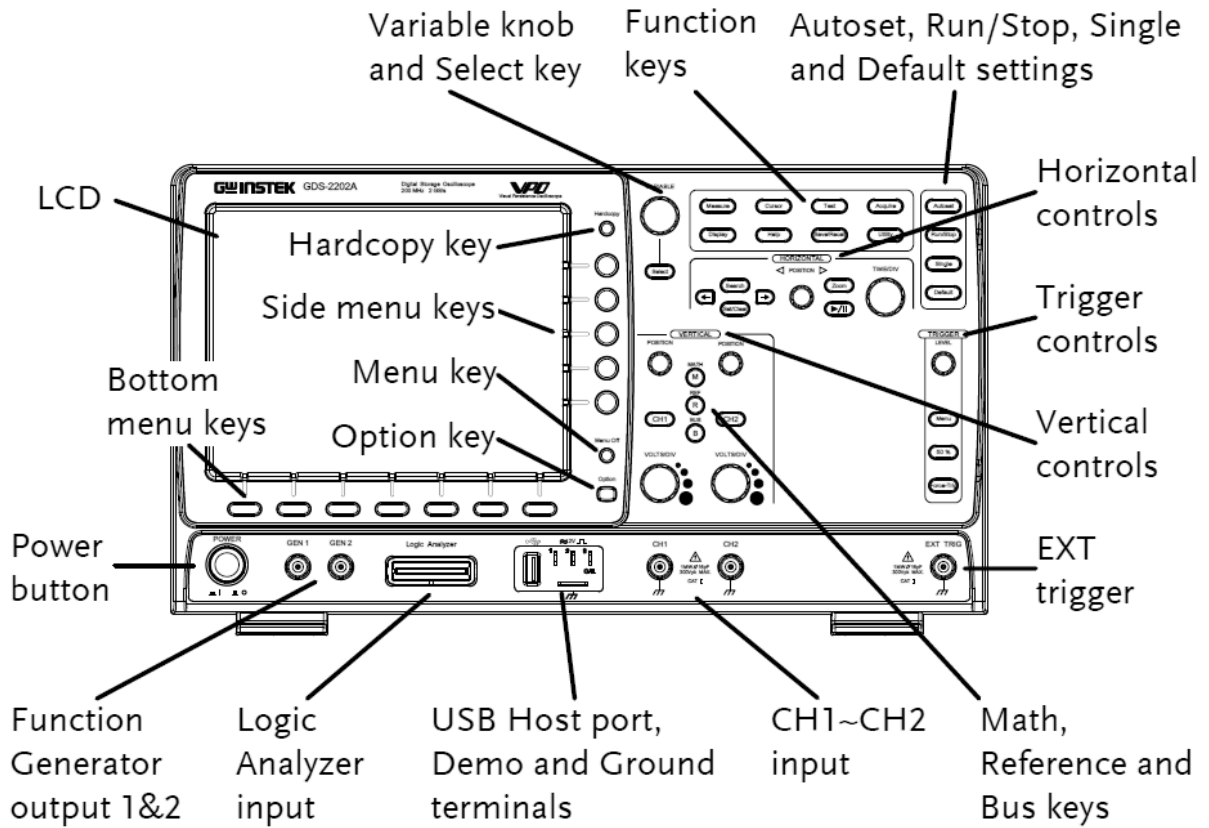


Figure 1B

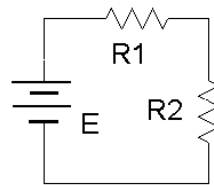


Figure 2

Procedure

1. Figure 1 is an outline of the main face of a GWInstek 2000 series oscilloscope. Compare this to the bench oscilloscope and identify the following elements:
 - Channel one and two BNC input connectors.
 - Trigger BNC input connector.
 - Horizontal sensitivity (Time/Div) and Position knobs.
 - Channel one and two Select buttons (lighted style).
 - Channel one and two Vertical sensitivity (Volts/Div) and Position knobs.
 - Trigger Level knob.
 - *Function* keys, including *Cursor* and *Measure*.
 - *Hardcopy* button.
 - *Autoset* button.
 - *Math* button.
 - USB port.
2. Note the numerous buttons along the bottom and side of the display screen. These buttons are context-sensitive and their function will depend on the mode of operation of the oscilloscope. Power up the oscilloscope. Notice that the functions are listed next to the buttons. Note that the main display is similar to a sheet of graph paper. Each square will have an appropriate scaling factor or weighting, for example, 1 volt per division vertically or 2 milliseconds per division horizontally. Waveform voltages and timings may be determined directly from the display by using these scales.
3. Depress the channel one and two Select buttons (they should light) and also select the *Autoset* button. (Autoset tries to create reasonable settings based on the input signal and is useful as a sort of “panic button”). There should now be two horizontal lines on the display, one yellow and one blue. They may be moved via the Position knob. The Position knobs move the associated input. The Vertical and Horizontal Scale knobs behave in a similar fashion and **do not** include calibration markings. That is because the settings for these knobs show up on the main display. Adjust the Scale knobs and note how the corresponding values in the display change. Voltages and Time base use a 1/2/5 scale sequence.
4. One of the more important fundamental settings on an oscilloscope is the *Input Coupling*. This is controlled via one of the bottom row buttons. There are three choices: *Ground* removes the input thus showing a zero reference, *AC* allows only AC signals through thus blocking DC, and *DC* allows **all** signals through (it does **not** prevent AC).
5. Set the channel one Vertical Scale to 5 volts per division. Set the channel two Scale to 2 volts per division. Set the Time (Horizontal) Scale to 1 millisecond per division. Finally, set the input Coupling

to Ground for both input channels and align the blue and yellow display lines to the center line of the display via the Vertical Position knobs.

6. Build the circuit of Figure 2 using $E=10\text{ V}$, $R_1=10\text{ k}\Omega$ and $R_2=33\text{ k}\Omega$. Connect a probe from the channel one input to the power supply (red or tip to plus, black clip to ground). Connect a second probe from channel two to R_2 (again, red or tip to the high side of the resistor and the black clip to ground).
7. Switch both inputs to DC coupling. The yellow and blue lines should have deflected upward. Channel one should be raised two divisions (2 divisions times 5 volts per division yields the 10 volt source). Using this method, determine the voltage across R_2 (remember, input two should have been set for 2 volts per division). Calculate the expected voltage across R_2 using measured resistor values and compare the two in Table 1. Note that it is not possible to achieve extremely high precision using this method (e.g., four or more digits). Indeed, a DMM is often more useful for direct measurement of DC potentials. Double check the results using a DMM and the final column of Table 1.
8. Select AC Coupling for the two inputs. The flat DC lines should drop back to zero. This is because AC Coupling blocks DC. This will be useful for measuring the AC component of a combined AC/DC signal, such as might be seen in an audio amplifier. Set the input coupling for both channels back to DC.
9. Replace the DC power supply with the function generator. Set the function generator for a one volt peak sine wave at 1 kHz and apply it to the resistor network. The display should now show two small sine waves. Adjust the Vertical Scale settings for the two inputs so that the waves take up the majority of the display. If the display is very blurry with the sine waves appearing to jump about side to side, the Trigger Level may need to be adjusted. Also, adjust the Time Scale so that only one or two cycles of the wave may be seen. Using the Scale settings, determine the two voltages (following the method of step 7) as well as the waveform's period and compare them to the values expected via theory, recording the results in Tables 2 and 3. Also crosscheck the results using a DMM to measure the RMS voltages.
10. To find the voltage across R_1 , the channel two voltage (voltage across R_2) may be subtracted from channel one (E source) via the *Math* function. Use the red button to select the *Math* function and create the appropriate expression from the menu ($\text{ch1} - \text{ch2}$). This display shows up in red. To remove a waveform, simply deselect it (depress the associated button). Remove the math waveform before proceeding to the next step.
11. One of the more useful aspects of the oscilloscope is the ability to show the actual waveshape. This may be used, for example, as a means of determining distortion in an amplifier. Change the waveshape on the function generator to a square wave, triangle, or other shape and note how the oscilloscope responds. Note that the oscilloscope will also show a DC component, if any, as the AC

signal being offset or “riding on the DC”. Adjust the function generator to add a DC offset to the signal and note how the oscilloscope display shifts. Return the function generator back to a sine wave and remove any DC offset.

12. It is often useful to take precise differential measurement on a waveform. For this, the bars or cursors are useful. Select the *Cursor* button toward the top of the oscilloscope. From the menu on the display, select *Vertical*. Two vertical bars will appear on the display (it is possible that one or both could be positioned off the main display). They may be moved left and right via the *Variable* knob (next to the *Cursor* button). The *Select* button toggles between the two cursors. A read out of the bar values will appear in the upper portion of the display. They indicate the positions of the cursors, i.e. the location where they cross the waveform. Vertical Bars are very useful for obtaining time information as well as amplitudes at specific points along the wave. A similar function is the Horizontal Bars which are particularly useful for determining amplitudes. Try the Horizontal Bars by selecting them via the *Cursor* button again.
13. For some waveforms parameters, automatic readings are available. These are accessed via the *Measure* button. Select *Measure* and page through the various options. Select *Frequency*. Note that a small readout of the frequency will now appear on the display. Now try *RMS* and compare the result to that given by the DMM earlier. Note that several measurements are possible simultaneously.
Important: There are specific limits on the proper usage of these measurements. If the guidelines are not followed, erroneous values may result. **Always** perform an approximation via the Scale factor and divisions method even when using an automatic measurement!
14. Finally, a snap-shot of the screen may be saved for future work using the USB port and a USB memory stick via the *Hardcopy* button. The result will be a bit mapped graphics file that can be used as is (see below) or processed further in a graphics program (for example, inverting the colors for printing).



Figure 3

Data Tables

V_{R2}	Scale (V/Div)	Number of Divisions	Voltage Scope	Voltage DMM
Oscilloscope				
Theory	X	X		

Table 1

	Scale (V/Div)	Number of Divisions	Voltage Peak	Voltage RMS
E Oscilloscope				
E Theory	X	X		
V_{R2} Oscilloscope				
V_{R2} Theory	X	X		

Table 2

	Scale (S/Div)	Number of Divisions	Period	Frequency
E Oscilloscope				
E Theory	X	X		

Table 3

8

Diode Clippers and Clampers

Objective

The performance and operation of diode based clipper and clamper circuits are examined in this exercise. Items of interest include the programmability of the clipper and non-ideal effects in both circuits.

Theory Overview

The function of the clipper is to ensure that the input waveform never exceeds a certain peak value. This may be a protective function, that is, a large signal might damage a following circuit, but it may be used for other reasons, for example, ensuring that signal overage is never reached. Clipping circuits do not have to be symmetrical. In other words, the positive and negative limits do not have to have the same magnitude. While clippers can be designed using Zener diodes, the biased clipper offers the advantage of infinite variability of the limit point. In contrast, Zener based clippers are limited by the available standard zener potentials and cannot be set to new values without replacement of the Zeners.

Clamper circuits are designed to provide a DC level shift. Typically this means shifting a waveform vertically so that the entire waveform is either positive or negative with one peak now residing at zero.

Equipment

- | | | |
|--|---------------|------------|
| (1) Dual channel oscilloscope | model: _____ | srn: _____ |
| (1) Function generator | model: _____ | srn: _____ |
| (1) Dual adjustable DC power supply | model: _____ | srn: _____ |
| (2) Signal diodes (1N4148, 1N914) | | |
| (1) 10 k Ω resistor $\frac{1}{4}$ watt | actual: _____ | |
| (1) 100 k Ω resistor $\frac{1}{4}$ watt | actual: _____ | |
| (1) 100 nF capacitor 25 volt | actual: _____ | |

1N4148/1N914 Datasheet: <https://www.onsemi.com/pub/Collateral/1N914A-D.pdf>

Schematics

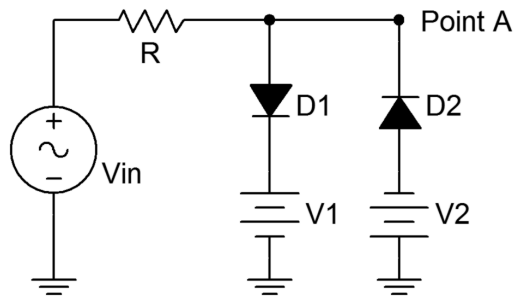


Figure 1

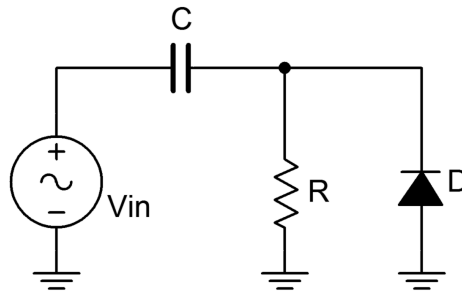


Figure 2

Procedure

Clipper

1. Consider the circuit of Figure 1 using $V_{in} = 5$ volts peak at 1 kHz, $R = 10$ k Ω , and both $V1$ and $V2$ set to 0 volts. For any positive signal over approximately 0.7 volts, $D1$ will turn on and limit the output voltage at Point A to 0.7 volts. A similar situation occurs with $D2$ and negative signals. A sine wave input over several volts will be clipped at ± 0.7 volts resulting in a squared off wave.
2. Build the circuit of Figure 1 using $R = 10$ k Ω , and both $V1$ and $V2$ set to 0 volts. Set V_{in} to a 5 volt peak sine at 1 kHz. Place one oscilloscope probe at the input and the second at Point A. Make sure the scope inputs are DC coupled. Record the positive and negative peak values of the resulting output waveform in Table 1. Also save an image of the scope showing both the input and output waveforms.
3. Set $V1$ to 2 VDC and $V2$ to 3 VDC, and repeat step 2.

Clamper

4. Consider the circuit of Figure 2 using $V_{in} = 5$ volts peak at 1 kHz, $R = 100$ k Ω and $C = 100$ nF. Determine the input signal's period and the RC time constant. Record these values in Table 2. For a large time constant, the capacitor voltage can be thought of as stable, basically a DC voltage. Initially, this voltage is zero. On the positive input half-wave, the diode is reverse biased and all of the signal drops across the resistor. On negative portions though, the diode is forward biased, limiting the output voltage to within one diode drop of ground. Also, the capacitor will begin to charge, eventually reaching the peak voltage of the input. This potential will add a DC offset to the input signal resulting in a clamped output.
5. Build the circuit of Figure 2 using $R = 100$ k Ω and $C = 100$ nF. Set V_{in} to a 5 volt peak sine at 1 kHz. Set the scope inputs to DC coupled and apply the probes to the input and output points. Record the positive and negative peak values of the output waveform in Table 3.
6. Reverse the diode and repeat step 5.

Computer Simulation

7. Repeat the clamper procedure of steps 5 and 6 using a simulator, recording the results in Table 4.

Data Tables

Variation	V_{out} Positive Peak	V_{out} Negative Peak
No Bias		
With Bias		

Table 1

Input Period	
RC Time Constant	

Table 2

Diode Polarity	V_{out} Positive Peak	V_{out} Negative Peak
Original		
Reverse		

Table 3

Diode Polarity	$V_{out-sim}$ Positive Peak	$V_{out-sim}$ Negative Peak
Original		
Reverse		

Table 4

Questions

15. Are the clipping thresholds of the circuit of Figure equal to the bias voltages? Why/why not?

16. If the magnitudes of V_1 and V_2 in Figure 1 had been reversed, what would the output waveform look like? Would the peaks of the output have changed?

17. What would the output waveform look like if D_2 and V_2 had been omitted in Figure 1?

18. How accurate is the clamping effect of the circuit of Figure 2? Are there any non-ideal effects? What is the effect of reversing the diode polarity in Figure 2?

19. What would the output waveform look like if a much smaller capacitor had been used?

9 Half-wave Rectifier

Objective

The goal of this exercise is to investigate the ideal versus real operation of a basic half-wave rectifier. The effects of a filtering capacitor are included.

Theory Overview

The primary function of a rectifier is to turn an incoming AC waveform into a pulsating DC waveform. This can be achieved by simply blocking one of the two polarities from reaching the load. This is called a half-wave rectifier. A rectifier might be used as part of an AC to DC power supply but might also be used as part of a signal processing system. Ideally, a diode will behave as either an open or a closed switch depending on the polarity of the applied signal. This means that one polarity can be allowed through while the other can be blocked, perfect for this situation. In reality, the diode will require a forward turn-on potential which results in a portion of the allowed signal being lost (e.g., the first 0.7 volts will be lost when using a silicon device). This fact makes a simple diode rectifier ineffective when used with very small signal amplitudes. Finally, in order to “fill the gap” where the blocked polarity would have been, a capacitor can be used to store some of the energy at the peak to be released during the gap. The higher the capacitance value, the more effective the smoothing will be.

Equipment

- | | | |
|---|---------------|------------|
| (1) Dual channel oscilloscope | model: _____ | srn: _____ |
| (1) Function generator | model: _____ | srn: _____ |
| (1) DMM | model: _____ | srn: _____ |
| (1) Signal diode (1N914, 1N4148) | | |
| (1) 10 k Ω resistor $\frac{1}{4}$ watt | actual: _____ | |
| (1) 22 nF capacitor | actual: _____ | |
| (1) 470 nF capacitor | actual: _____ | |

1N4148/1N914 Datasheet: <https://www.onsemi.com/pub/Collateral/1N914A-D.pdf>

Schematics

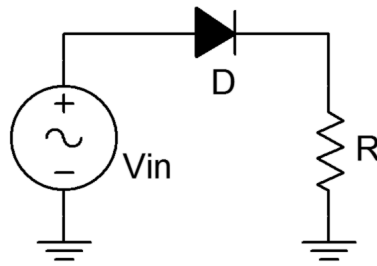


Figure 1

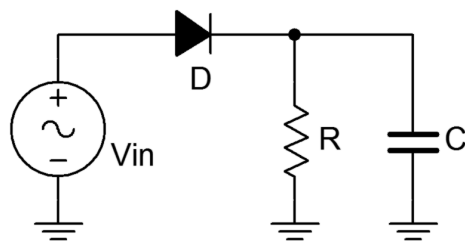


Figure 2

Procedure

Simple Rectifier

1. Consider the circuit of Figure 1. For an input voltage significantly larger than 0.7 volts, the diode will be forward biased for the positive half of the input sine wave. Therefore, all of the input signal (less 0.7 volts) will appear across the load resistor, R. Conversely, during the negative polarity of the input, the diode will be open, thus blocking any current and producing no voltage across the load.
2. Build the circuit of Figure 1 using $V_{in} = 10$ volts peak at 1 kHz and $R = 10$ k Ω . Set the oscilloscope inputs to DC coupled. Place one oscilloscope probe across the input generator and a second probe across the load resistor. Record the peak amplitude of the output load waveform in Table 1. Also, save an image of the scope trace showing both the input and output waveforms.
3. Measure the load voltage with the DMM (DC volts) and record this in Table 1.
4. Reverse the diode and repeat steps 2 and 3.
5. Reverse the diode so that it is back to the original orientation. Reduce the input to 800 mV peak and repeat step 2.

Filter Capacitor

6. The circuit of Figure 2 adds a filtering capacitor across the load. This should help to “fill the gaps” created by the missing portions of the waveform. Build the circuit of Figure 2 using $V_{in} = 10$ volts peak at 1 kHz, $R = 10\text{ k}\Omega$ and $C = 22\text{ nF}$. Making sure that the scope inputs are DC coupled, place scope probes across the input and load, and capture the resulting image. Record the peak value in Table 2.
7. Measure the load voltage with the DMM (DC volts) and record this in Table 2.
8. Replace C with the 470 nF capacitor and repeat steps 5 and 6.

Computer Simulation

9. Perform a Transient Analysis simulation of the circuits shown in Figures 1 and 2, and compare the resulting waveforms to those captured from the oscilloscope.

Data Tables

Variation	$V_{load\ peak}$	DMM DCV
Original		
Reversed Diode		
800 mV Input		X

Table 1

Capacitor	$V_{load\ peak}$	DMM DCV
22 nF		
470 nF		

Table 2

Questions

1. How well do the peak values of the load voltage track the peak values of the input voltage?
2. What are the limits of the half-wave circuit at rectifying small amplitude signals? What might be done to improve its effectiveness?
3. What is the effect of reversing the orientation of the diode? How does this affect the DC value measured by the DMM?
4. What is the effect of adding capacitance to the circuit? How does this affect the DC value measured by the DMM?
5. How would the waveforms differ if the oscilloscope inputs had been AC coupled instead of DC coupled?

10 The Transformer

Objective

The objective of this exercise is to introduce the power transformer. Turns ratio and its effects on primary secondary voltage and current are of prime importance. The effect of loading will also be examined.

Theory Overview

A power transformer is used to change an AC voltage from one amplitude to another, ideally without power loss. This is accomplished through a magnetic circuit consisting of a metallic core wrapped with primary and secondary windings of wire. The ratio of the number of primary windings to secondary windings is called the *turns ratio*. The voltage at the secondary can be increased or decreased depending on this ratio. In the ideal case, or lossless transformer, the product of secondary voltage and current will equal the product of primary voltage and current. That is, the ideal transformer does not dissipate power itself, but rather *transforms* power from one scenario to another. Real transformers dissipate some power because the copper wires have finite resistance and the magnetic coupling is not 100% efficient. The lost energy is often found in the form of heat. Another important characteristic of the transformer is that it creates electrical isolation between the primary and secondary. In other words, the circuit common points do not have to be the same potential or tied together between the primary and secondary sides.

Typically, power transformers are rated for a given input voltage and frequency (120 VAC/60 Hz in North America) which yields a specified secondary voltage under load. If the load current is minimal, the secondary voltage tends to increase beyond the rated value. This is due to the resistance of the windings and can be reduced by using a larger gauge although this results in a larger transformer. Also, it is common for secondaries to be split or to have a center tap. A center tap allows the secondary to be treated as two symmetrical halves. This is useful for circuit rectification circuits. Finally, dots drawn on the transformer's schematic symbol and connections indicate like instantaneous polarity on the primary and secondary. That is, when the primary voltage is positive at its dot, the secondary voltage will also be positive at its dot.

Equipment

- | | | |
|---|---------------|------------|
| (1) Dual channel oscilloscope | model: _____ | srn: _____ |
| (1) Function generator | model: _____ | srn: _____ |
| (1) DMM | model: _____ | srn: _____ |
| (1) 12.6 volt, 1A center tapped transformer | | |
| (1) 10 Ω resistor $\frac{1}{4}$ watt | actual: _____ | |
| (1) 22 Ω resistor $\frac{1}{4}$ watt | actual: _____ | |
| (1) 20 Ω resistor 20 watt | actual: _____ | |

Schematics

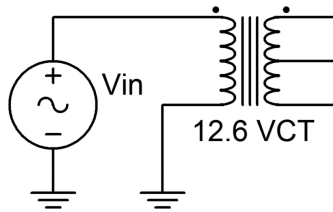


Figure 1

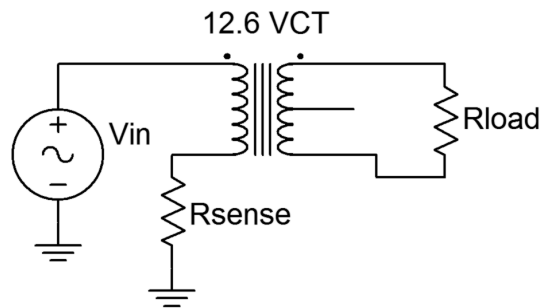


Figure 2

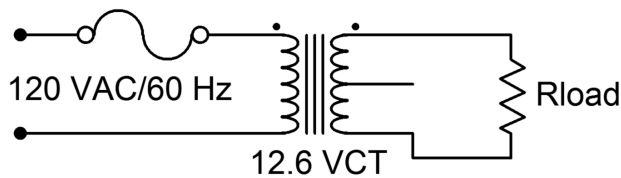


Figure 3

Procedure

Low Voltage

1. Consider the circuit of Figure 1. With a 12.6 volt secondary rating and a 120 volt primary rating, the turns ratio is approximately 10:1. In other words, for any reasonable input signal at the primary, the output at the secondary is expected to be one tenth the voltage and ten times the current.
2. Connect the primary side of the transformer to the function generator as shown in Figure 1. Set the generator to a 10 volt peak sine at 60 Hz. Place the oscilloscope probe grounds at the bottom of the secondary. Connect probe tip one to the top of the secondary and probe tip two to the center tap. Record the peak amplitudes in Table 1 and capture an image of the scope display. Compute and record the primary/secondary voltage ratio as well (for the full secondary).

3. Build the circuit of Figure 2 using $R_{\text{sense}} = 22 \Omega$, $R_{\text{load}} = 10 \Omega$ and $V_{\text{in}} = 5$ volt peak sine at 60 Hz. Place one scope probe across the load and the other across R_{sense} . Record the peak amplitudes in Table 2 and capture an image of the scope display.
4. Using the voltage measured across the sense resistor, determine the primary side current. Using Ohm's law and the measured load voltage, determine the load (i.e., secondary) current. Based on these, compute the primary/secondary current ratio. Record these values in Table 2.

Line Voltage

5. This section uses the 120 VAC line. Treat it with the caution it deserves. Connect the circuit of Figure 3 leaving R_{load} unconnected. Measure the secondary voltage with the DMM (AC Volts). Record the value in Table 3 under "Unloaded".
6. Add the load resistor, 20Ω , and measure the load voltage with the DMM. Record the value in Table 3 under "Loaded". Determine the percent change between the loaded and unloaded voltages. Also, measure the load voltage using the oscilloscope and capture an image of the display.

Data Tables

Full Secondary Voltage	
Center Tap Voltage	
Pri/Sec Voltage Ratio	

Table 1

Primary Sense Voltage	
Primary Current	
Secondary Voltage	
Secondary Current	
Pri/Sec Current Ratio	

Table 2

V_{load} Unloaded	
V_{load} Loaded	
Percent Change	

Table 3

Questions

1. Examining the results of the circuit in Figure 1, does the specified turns ratio match that which is found experimentally? Why/why not?
2. What is the effect of loading on a transformer's secondary voltage?
3. Does the primary/secondary voltage ratio complement the primary/secondary current ratio? What does this say about the power dissipation of the transformer?
4. Are there appreciable variations between using the transformer at high input voltages versus low input voltages?

11

Full-wave Bridge Rectifier

Objective

The objective of this exercise is to investigate the operation of a full-wave bridge rectifier as part of an AC to DC power supply. Also included are the effects of loading and filter capacitance.

Theory Overview

The full-wave bridge, like the half-wave rectifier, is used to turn an AC signal into pulsating DC. The full-wave bridge requires four diodes instead of one but has the advantage of utilizing the opposite polarity of the signal, effectively flipping its polarity rather than simply “throwing it away” like the half-wave circuit. This increases the energy available to the load and lessens the burden on filtering capacitors as the resulting gap between pulses is much smaller.

Equipment

- (1) Dual channel oscilloscope model: _____ srn: _____
- (1) DMM model: _____ srn: _____
- (4) Rectifying diodes (1N4002 series)
- (1) 12.6 volt 1 amp center tapped transformer
- (1) 1 k Ω resistor $\frac{1}{4}$ watt actual: _____
- (1) 20 Ω resistor 20 watt actual: _____
- (1) 1000 μ F capacitor 25 volt actual: _____

1N4002 Datasheet: <https://www.onsemi.com/pub/Collateral/1N4001-D.PDF>

Schematic

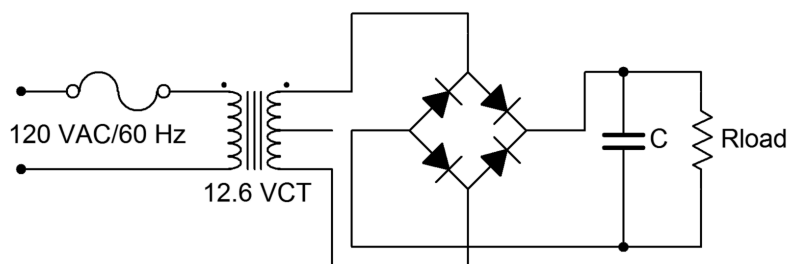


Figure 1

Procedure

Basic Operation

1. First, note that the circuit of Figure 1 is being powered directly from the AC line. Treat it with appropriate caution. It is worth repeating that any circuit should be de-energized when making any changes to it.
2. Consider the circuit of Figure 1 without the capacitor connected. For a positive polarity of secondary voltage, the upper right and lower left diodes will be forward biased and allow current to flow through the load from top to bottom. The other two diodes will be reverse biased. For a negative secondary polarity the opposite occurs. That is, the upper left and lower right pair will be forward biased while the other two are reverse biased. This arrangement will also cause load current to flow through the load from top to bottom, thus effectively flipping the negative polarity portion of the wave.
3. Build the circuit of Figure 1 with $R_{load} = 1\text{ k}\Omega$ and C disconnected (open). This represents a very lightly loaded case. Under light loads, the output of the secondary will often be a little higher than the rated potential. Set the oscilloscope input to DC coupled. Measure and record the voltage across the secondary and then across the load. Do **not** use two probes to do this simultaneously as these two measurements do not share a common ground. Doing so will short out a portion of the circuit. Record the results in Table 1 and capture an image of the load voltage display.
4. Measure the load voltage with a DMM set to DC volts. Record this value in Table 1.
5. Replace the load with the $20\ \Omega$ resistor to simulate greater loading. Repeat steps 3 and 4.
6. Return the load resistor to the original $1\text{ k}\Omega$ value and insert the $1000\ \mu\text{F}$ capacitor. Measure the load voltage with both the oscilloscope and DMM, recording the values in Table 2. Be sure to capture an image of the scope display.
7. Replace the load with the $20\ \Omega$ resistor to simulate greater loading. Measure the load voltage with both the oscilloscope and DMM, recording the values in Table 2. Once again, be sure to capture an image of the scope display.

Computer Simulation

8. Simulate the circuit of Figure 1 using Transient Analysis. Use three variations, comparing the plotted waveforms to those measured in the laboratory: $C = \text{open}$ with $R_{load} = 20\ \Omega$, $C = 1000\ \mu\text{F}$ with $R_{load} = 1\text{ k}\Omega$, and $C = 1000\ \mu\text{F}$ with $R_{load} = 20\ \Omega$.

Data Tables

Load	$V_{\text{secondary scope}}$	$V_{\text{load scope}}$	$V_{\text{load DMM}}$
1 k Ω			
20 Ω			

Table 1, no capacitor

Load	$V_{\text{load scope}}$	$V_{\text{load DMM}}$
1 k Ω		
20 Ω		

Table 2, with capacitor

Questions

1. What is the effect on the load voltage as the loading increases (i.e., as R_{load} decreases)?
2. What is the effect of adding the capacitor across the load?
3. How do the load voltages as measured by the DMM compare to those measured with the oscilloscope? Is there a pattern between the pairs of measurements?
4. How would the load voltages change if the diode bridge is connected between one end of the secondary and the center tap instead of across the entire secondary?

12 The DC Power Supply Project

Objective

This project involves the construction, testing and analysis of an Adjustable DC Power Supply. Each individual will complete a power supply and present a report to the lab section of the class. The presentation should be an overview of the report. The project will include the following:

1. Analysis of the circuit
2. Electronic Assembly of all components.
3. Testing, evaluation and troubleshooting.
4. Report Development
5. Report Presentation

Theory Overview

The circuit is an adjustable 5 to 12 VDC supply utilizing a full-wave bridge and integrated voltage regulator. It picks up where the preceding Full-wave Rectifier exercise left off.

Schematic and Artwork

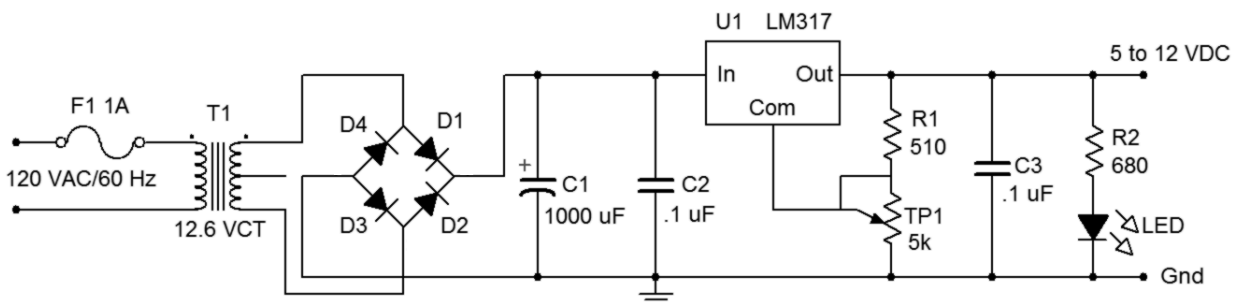


Figure 1

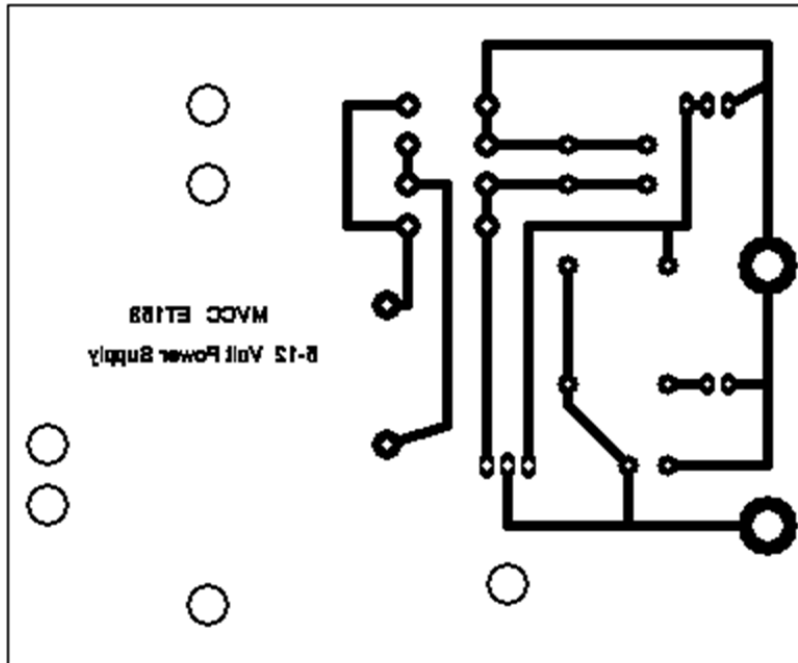


Figure 2, PCB Artwork (not actual size)

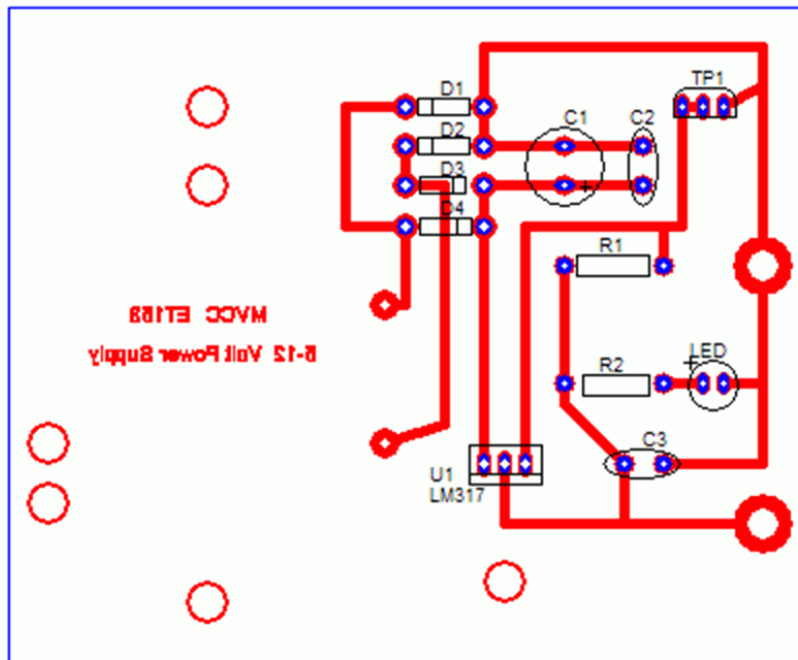


Figure 3, Component Placement

5 – 12 Volt DC Power Supply Bill of Materials

Item	Component ID	Description	Part Number	Quantity
1	T1	117 - 12.6 Volt center tapped transformer		1
2	D1-D4	Rectifier diode	1N4001	4
3	C1	1000 microfarad 25 volt capacitor		1
4	C2, C3	0.1 microfarad 200 volt capacitor		2
5	R1	510 ohm, $\pm 5\%$, 0.5 watt		1
6	R2	680 ohm, $\pm 5\%$, 0.5 watt		1
7	TP1	5 k ohm trimpot, 10 turn $\pm 5\%$, 0.5 watt		1
8	LED	Red standard light emitting diode		1
9	U1	Voltage regulator	LM317T	1
10		Heat sink		1
11		Foot pads		4
12		Screws		5
13		Bolts		5
14		Washers		5
15		Wire tie		1
16		Line cord		1
17		In-line fuse holder and fuse		1

Report and Presentation Format

Report

The report should be in the following format:

Title Page – Includes Project Title, Course and Number, Name and Date

Description – Discuss the purpose and nature of the project.

Theory - Develop a block diagram for the circuit. Identify all the components that comprise each segment of the block diagram and describe their operation in terms of inputs and outputs. Include a listing of the specifications for the supply as follows:

Input power: 117 VAC RMS, $\pm 10\%$, 50 – 60 Hz

Output: 5 to 12 volts DC, adjustable, @ 300 mA with 0.5% ripple

Discuss the type of transformer used and describe the type of diode rectifier circuit. Also discuss the tolerance of the resistors in the circuit and the function of the potentiometer?

Equipment – List the special equipment that was used to complete the project.

Components – Refer to the PCB documentation. Include copies of all the printed circuit board documentation and discuss the purpose of each document.

Procedure – Describe the basic assembly and the general verification procedure for checking the power supply function, including circuit board assembly, soldering, and the testing procedures to verify key functions. Be sure to discuss the requirements for a good solder joint, the purpose of the flux in the solder and the need to frequently clean of the tip of the soldering iron. Also, identify the components that are polarity sensitive and discuss the impact of reversing the polarity during assembly.

Data – Record the measurements taken to verify the operation. These should include the **Range of Adjustment**, the **No-Load Output Voltage**, the **Transformer Secondary Voltage**, the **Rectifier Voltage Output** and the **Peak to Peak Ripple** at full output load.

Conclusion -What was learned on this project? What went wrong? How was it resolved? List any ideas about how to improve the performance of the power supply.

Oral Presentation

The presentation should be an overview of your report with a focus on your project conclusion. Your presentation will be video recorded.

Report Grading Criteria

	1 = Below Minimum Standards	2 = At Minimum Standards	3 = At Average Standard	4 = Exceeds Average Standard
Format/Neatness 5%				
Grammar 5%				
Thoroughness 10%				
Theory Discussion 30%				
Procedure Discussion 30%				
Presentation 20%				

Circuit Verification Data Sheet

1. Output Voltage and LED Test: LED operational _____

Output Voltage Range of Adjustment _____ to _____

2. Adjust output to 5 VDC with a 20 ohm load resistor attached to the output.

Calculated Load Current _____ Measured Load Current _____

Calculate the power being dissipated by the 20 ohm resistor? _____

3. Calculate the expected turns ratio of the transformer from the transformer data listed on the Bill of Material. Calculate and measure V_{Sec} RMS.

Calculated $n =$ _____ Calculated V_{Sec} RMS = _____

Measured V_{Pri} RMS = _____ Measured V_{Sec} RMS = _____

4. Calculate the expected DC Voltage (VDC) and Peak to Peak Ripple (V_{rpp}) out of the filter circuit using the formula: $V_{rpp} = I_{LOAD}/f_C$ where f = frequency and C is the value of the filter capacitor. Use a load current of 70 milliamps.

Calculated VDC = _____ Calculated $V_{rpp} =$ _____

5. Measure the DC Voltage (VDC) and Peak to Peak Ripple (V_{rpp}) out of the filter circuit values with the 20 ohm resistor in place:

Measured VDC = _____ Measured $V_{rpp} =$ _____

6. Measure VDC and V_{rpp} of the output voltage of the power supply with the 20 ohm load resistor in place.

VDC of the Power Supply Output = _____

V_{rpp} of the Power Supply Output = _____

13 Base Bias: CE Configuration

Objective

The objective of this exercise is to explore the operation of a basic common emitter biasing configuration for bipolar junction transistors, namely fixed base bias. Along with the general operation of the transistor and the circuit itself, circuit stability with changes in beta is also examined.

Theory Overview

For a bipolar junction transistor to operate properly, the base-emitter junction must be forward biased while the collector-base junction must be reverse biased. This will place V_{BE} at approximately 0.7 volts and the collector current I_C will be equal to the base current I_B times the current gain β . For small signal devices, the current gain is greater than 100 typically. Thus, $I_C \gg I_B$ and $I_C \approx I_E$.

The common emitter configuration places the emitter terminal at ground. The base terminal is seen as the input and the collector as the output. Using a fixed base supply, the base current is dependent on the value of the base resistor via Ohm's law. Consequently, any variation in current gain across a batch of transistors will show up as an equivalent variation in collector current, and by extension, a variation in collector-emitter voltage V_{CE} .

Equipment

- (1) Dual adjustable DC power supply model: _____ srn: _____
- (1) DMM model: _____ srn: _____
- (3) Small signal NPN transistors (2N3904)
- (1) 1.2 k Ω resistor $\frac{1}{4}$ watt actual: _____
- (1) 330 k Ω resistor $\frac{1}{4}$ watt actual: _____

2N3904 Datasheet: <https://www.onsemi.com/pub/Collateral/2N3903-D.PDF>

Schematics

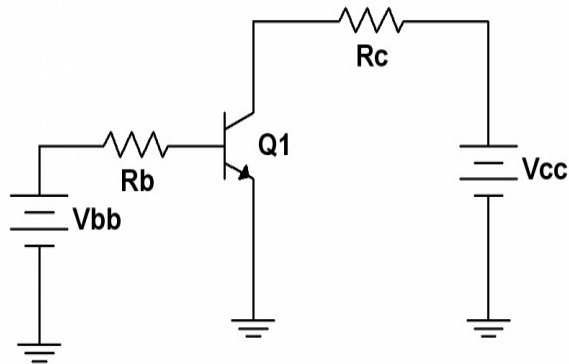


Figure 1

Procedure

A Quick Check

1. A quick and easy way to determine if a transistor is damaged is through the use of the resistance (or diode) function of a multimeter. The multimeter will produce a small current in order to determine the connected resistance value. This current is sufficient to partially forward or reverse bias a PN junction. Thus, for an NPN device, placing the red lead on the base and the black lead on the emitter and collector in turn will produce forward bias on the junctions and the meter will show a low resistance. Reversing the leads will create reverse bias and a high resistance will be indicated. If the leads are connected from collector to emitter, one of the two junctions will be reverse biased regardless of lead polarity, and thus, a high resistance is always indicated. Before proceeding to the next step, check the three transistors using this method to ensure that they are functioning. (Note: some multimeters include a “beta checker” function. This may also be used to determine if the devices are good but the beta value produced should not be considered precise as the measurement current and voltage are most likely different from the circuit in which the transistor will be used.)

Base Bias

2. Consider the circuit of Figure 1 with $V_{bb} = 11\text{V}$, $V_{cc} = 15\text{V}$, $R_b = 330\text{ k}\Omega$ and $R_c = 1.2\text{ k}\Omega$. Assume $V_{BE} = 0.7\text{ volts}$. Further, assume that beta is 150 (a typical value for this device in this application). Calculate the expected values of I_B , I_C and I_E , and record them in the “Theory” columns of Table 1. Note that the theoretical values will be the same for all three transistors.
3. Based on the expected value of I_C , determine the theoretical value of V_{CE} and record it in Table 2. Also, fill in Table 2 with the typical (theoretical) beta value of 150.

4. Build the circuit of Figure 1 with $V_{bb} = 11\text{V}$, $V_{cc} = 15\text{V}$, $R_b = 330\text{ k}\Omega$ and $R_c = 1.2\text{ k}\Omega$. Measure and record the base, collector and emitter currents, and record them in the first row of Table 1. Find the deviations between the theoretical and experimental currents, and record these in Table 1.
5. Measure the base-emitter and collector-emitter voltages and record in the first row of Table 2. Based on the measured values of base and collector current from Table 1, calculate and record the experimental betas in Table 2. Finally, compute and record the deviations for the voltages and for the current gain in Table 2.
6. Remove the first transistor and replace it with the second unit. Repeat steps four and five using the second row of Tables 1 and 2.
7. Remove the second transistor and replace it with the third unit. Repeat steps four and five using the third row of Tables 1 and 2.

Design

8. One way of improving the circuit of Figure 1 is to redesign it so that a single power supply may be used. As noted previously, the base current is largely dependent on the value of V_{BB} and R_B . If the supply is changed, the resistance can be changed by a similar factor in order to keep the base current constant. This is just an application of Ohm's law. Based on this, determine a new value for R_B that will produce the original I_B if V_{BB} is increased to the V_{CC} value (i.e., a single power supply is used). Record this value in Table 3.
9. Rewire the circuit so that the original R_B is replaced by the new calculated value (the nearest standard value will suffice). Also, the V_{BB} supply should be removed and the left side of R_B connected to the V_{CC} supply. Measure the new base current and record it in Table 3. Also determine and record the deviation between the measured and target base current values.

Computer Simulation

10. Build the original circuit in a simulator. Run a single simulation and record the I_B , I_C , I_E and V_{CE} values in Table 4.

Data Tables

Transistor	I_B Theory	I_B Exp	%D I_B	I_C Theory	I_C Exp	%D I_C	I_E Theory	I_E Exp	%D I_E
1									
2									
3									

Table 1

Transistor	V_{BE} Thry	V_{BE} Exp	%D V_{BE}	V_{CE} Thry	V_{CE} Exp	%D V_{CE}	β Theory	β Exp	%D β
1									
2									
3									

Table 2

Calculated R_B	Actual R_B Used	I_B Measured	% Deviation I_B

Table 3

I_B sim	I_C sim	I_E sim	V_{CE} sim

Table 4

Questions

1. Are the basic transistor parameters borne out in this exercise? That is, are the approximations of $V_{BE} = 0.7$ and $I_C = I_E$ valid?
2. Is the typical beta value of 150 highly accurate and repeatable?
3. Which circuit parameters are affected by beta changes? Which parameters appear to be immune to changes in beta?
4. Comparing Tables 1 and 2, is there a notable pattern between the deviations for beta and collector current? Why/why not?
5. In the circuit of Figure 1, what must R_B be set to if $V_{BB} = 5V$ and the desired base current is $10 \mu A$?

14 LED Driver Circuits

Objective

The objective of this exercise is to examine two methods of driving LEDs with a constant current. Method one involves a saturating switch while method two utilizes a non-saturating circuit.

Theory Overview

LEDs behave similarly to switching diodes in that they conduct current easily in forward bias and appear as an approximate open circuit when reverse biased. Unlike standard silicon switching diodes, however, the forward bias potential is *not* approximately 0.7 volts. Instead, this potential will vary depending on the design of the LED but typically will be in the neighborhood of 2 volts for everyday devices. The brightness of the LED is directly controlled by its current: the higher the current, the brighter the LED. Consequently, it is important to drive LEDs with constant current sources to ensure consistent brightness.

Many circuits cannot drive LEDs directly so an intervening circuit is used (a *driver*) to boost the current up to the value the LED requires for a given brightness. The driving signal is attached to the base while the LED is situated in the collector, thus the transistor's current gain, beta, is exploited. Unfortunately, beta is not a particularly stable and consistent parameter so methods are required to alleviate this shortcoming. A saturating switch works by operating at the extreme ends of the DC load line; that is, either cutoff or saturation. If no signal is applied to the base, both base and collector currents will be zero, and thus, the LED is off. When a base signal is applied, it is designed to be large enough to force the transistor into saturation even with very modest betas. Therefore, the LED will always see the saturation current, regardless of the normal beta value. In contrast, the non-saturating circuit works by placing a resistor in the emitter. This establishes a constant emitter current (and thus, constant collector and LED current) in spite of beta changes. That is, if beta changes, the effect is seen in the base current, not the collector current. The non-saturating circuit has the advantage of using one less resistor, however, the saturating switch has the greater advantage of using the same collector and base voltages (the non-saturating circuit requires a collector source potential at least a few volts greater than the base voltage).

Equipment

- | | | |
|--|---------------|------------|
| (1) Adjustable DC power supply | model: _____ | srn: _____ |
| (1) DMM | model: _____ | srn: _____ |
| (3) Small signal transistors (2N3904) | | |
| (1) LED | | |
| (1) 220 Ω resistor $\frac{1}{4}$ watt | actual: _____ | |
| (1) 470 Ω resistor $\frac{1}{4}$ watt | actual: _____ | |
| (1) 4.7 k Ω resistor $\frac{1}{4}$ watt | actual: _____ | |

Schematics

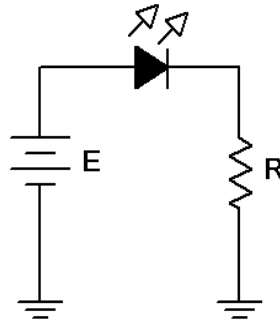


Figure 1

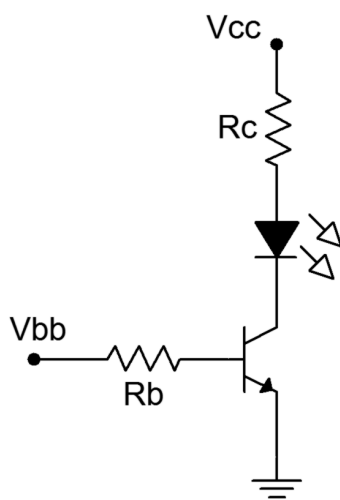


Figure 2

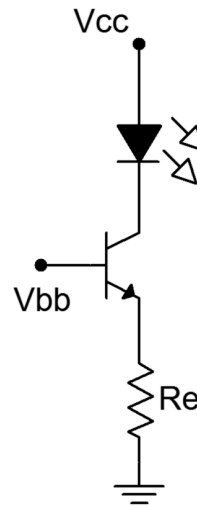


Figure 3

Procedure

Determining V_{LED}

1. The forward potential of an LED depends on its design and the current flowing through it. The other two circuits in this exercise are designed to produce LED currents of approximately 10 mA so a determination of the forward potential of this particular diode at 10 mA is desired. Assemble the circuit of Figure 1 using $R = 470 \Omega$, and $E = 5$ volts. Insert an ammeter in line with the LED. Increase E until 10 mA is reached (the LED should be reasonably bright). Record the resulting LED voltage in Table 1.

Saturating Switch

2. Consider the saturating switch of Figure 2 using $V_{cc} = V_{bb} = 5$ volts, $R_b = 4.7 \text{ k}\Omega$ and $R_c = 220 \text{ }\Omega$. Calculate the base and collector currents and record them in the first row of Table 2 (theory). As the circuit is in saturation, the theoretical V_{CE} is close to zero and may be found on the transistor data sheet via the V_{CE}/I_C saturation graph. Record this value in the first row of Table 2 as well.
3. Build the saturating switch of Figure 2 using $V_{cc} = V_{bb} = 5$ volts, $R_b = 4.7 \text{ k}\Omega$ and $R_c = 220 \text{ }\Omega$. Measure and record the base and collector currents, and record the collector-emitter voltage in the first row of Table 2 (experimental). Also compute and record the deviations between theory and experimental results.
4. Remove the base resistor from V_{bb} and connect it to ground. Without a base source potential, the circuit will be in cutoff. Determine the theoretical base and collector currents along with the collector-emitter voltage and record them in the second row of Table 2. Measure these parameters, record them in Table 2, and also compute and record the resulting deviations.
5. Reconnect the base resistor to the V_{bb} supply and swap in the second transistor. Repeat steps 3 and 4 using the next two rows of Table 2.
6. Reconnect the base resistor to the V_{bb} supply and swap in the third transistor. Repeat steps 3 and 4 using the final two rows of Table 2.

Non-saturating Current Source

7. Consider the non-saturating current source of Figure 3 using $V_{cc} = 10$ volts, $V_{bb} = 5$ volts and $R_e = 470 \text{ }\Omega$. Using a typical beta of 150, calculate the base and collector currents, and the collector-emitter voltage and record them in the first row of Table 3 (theory).
8. Build the non-saturating current source of Figure 3 using $V_{cc} = 10$ volts, $V_{bb} = 5$ volts and $R_e = 470 \text{ }\Omega$. Measure and record the base and collector currents, and record the collector-emitter voltage in the first row of Table 3 (experimental). Also compute and record the deviations between theory and experimental results.
9. Remove V_{bb} and connect the base terminal to ground. Without the base source potential, the base current will be zero. Determine the theoretical base and collector currents along with the collector-emitter voltage and record them in the second row of Table 3. Measure these parameters, record them in Table 3, and also compute and record the resulting deviations.
10. Reconnect the V_{bb} supply to the base and swap in the second transistor. Repeat steps 8 and 9 using the next two rows of Table 3.

11. Reconnect the base resistor to the V_{bb} supply and swap in the third transistor. Repeat steps 8 and 9 using the final two rows of Table 3.

Design

12. As seen in steps 7 through 11, the LED current of Figure 3 is a function of the base supply and the emitter resistor. Determine a new value for the emitter resistance that will yield an LED current of 15 mA. Record this value in Table 4. Obtain a new resistor close in value to the calculated result and swap it into the circuit. Measure the resulting LED current and record in Table 4.

Computer Simulation

13. Simulate the circuit of Figure 2 and record the currents and voltage in Table 5.
14. Simulate the circuit of Figure 3 and record the currents and voltage in Table 6.

Data Tables

V_{LED}	
-----------	--

Table 1

V_{bb}	I_B Theory	I_C Theory	V_{CE} Theory	I_B Exp	I_C Exp	V_{CE} Exp	% D I_B	% D I_C	% D V_{CE}
5									
0									
5									
0									
5									
0									

Table 2

V _{bb}	I _B Theory	I _C Theory	V _{CE} Theory	I _B Exp	I _C Exp	V _{CE} Exp	% D I _B	% D I _C	% D V _{CE}
5									
0									
5									
0									
5									
0									

Table 3

V _{bb}	R _E Theory	R _E exp	I _C exp
5			

Table 4

V _{bb}	I _B Sim	I _C Sim	V _{CE} Sim
5			
0			

Table 5

V _{bb}	I _B sim	I _C sim	V _{CE} Sim
5			
0			

Table 6

Questions

1. Do the two driver circuits produce a stable and predictable LED current in spite of changes in beta?
2. The circuit of Figure 2 is stated to be a saturating switch. How do the data of Table 2 confirm this statement?
3. The circuit of Figure 3 is stated to be a non-saturating current source. How do the data of Table 3 confirm this statement?

15 Emitter Bias

Objective

The objective of this exercise is to examine the two supply emitter bias topology and determine whether or not it produces a stable Q point. Various potential troubleshooting issues are also explored.

Theory Overview

One of the problems with simpler biasing schemes such as the base bias is that the Q point (I_C and V_{CE}) will fluctuate with changes in beta. This will result in inconsistent circuit performance. If a fixed voltage can be developed across an emitter resistor, a stable Q point will result. To obtain this fixed emitter resistor voltage, a negative voltage supply may be connected to the low side of the emitter resistor instead of connecting that resistor to ground. The transistor's base is then simply connected back to ground via a single resistor. If this base resistance is relatively small, the base voltage will be close to zero as only the base current flows through it. Consequently, almost all of the negative emitter supply will drop across the emitter resistor, with the exception of the single base-emitter potential. This will result in a stable emitter current, and by extension, stable collector current and collector-emitter voltage. As beta varies, this change will be reflected in a change in base current. This can result in large percentage changes in base voltage; however, the magnitude of the base potential will remain small, and thus, inconsequential.

Equipment

- | | | |
|---------------------------------------|---------------|------------|
| (1) Dual adjustable DC power supply | model: _____ | srn: _____ |
| (1) DMM | model: _____ | srn: _____ |
| (3) Small signal transistors (2N3904) | | |
| (1) 15 k Ω resistor ¼ watt | actual: _____ | |
| (1) 22 k Ω resistor ¼ watt | actual: _____ | |
| (1) 33 k Ω resistor ¼ watt | actual: _____ | |

Schematic

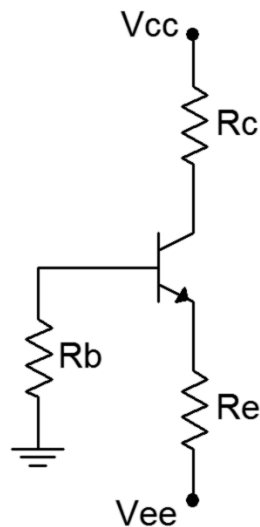


Figure 1

Procedure

DC Load Line

11. Consider the circuit of Figure 1 using $V_{CC} = 15$ volts, $V_{EE} = -12$ volts, $R_B = 33$ k Ω , $R_E = 22$ k Ω and $R_C = 15$ k Ω . Using the approximation of a negligible base voltage, determine the ideal end points of the DC load line and the Q point, and record these in Table 1.

Circuit Voltages and Beta

12. Continuing with the component values indicated in step one, compute the theoretical emitter and collector voltages, and record them in Table 2 (Theory). For the theoretical base voltage entry, assume a beta of approximately 150 and determine the base current and voltage from the theoretical collector current recorded in the Table 1.
13. Build the circuit of Figure 1 using $V_{CC} = 15$ volts, $V_{EE} = -12$ volts, $R_B = 33$ k Ω , $R_E = 22$ k Ω and $R_C = 15$ k Ω . Measure the base, emitter and collector voltages and record them in the first row of Table 2 (Experimental). Compute the deviations between theoretical and experimental and record these in the first row of Table 2 (% Deviation).
14. Measure the base and collector currents and record these in the first row of Table 3. Based on these, compute and record the experimental beta as well.

15. Swap the transistor with the second transistor and repeat steps 3 and 4 using the second rows of the tables.
16. Swap the transistor with the third transistor and repeat steps 3 and 4 using the third rows of the tables.

Design

17. The collector voltage of the circuit can be altered by a variety of means including changing the collector resistance. If the emitter supply and resistance are held constant, the collector voltage is determined by the collector resistance and the collector supply. Redesign the circuit to achieve a collector voltage of approximately 10 volts. Obtain a resistor close to this value, swap out the original collector resistor and measure the resulting voltage. Record the appropriate values in Table 4.

Troubleshooting

18. Return the original collector resistor to the circuit. Consider each of the individual faults listed in Table 5 and estimate the resulting base, emitter and collector voltages. Introduce each of the individual faults in turn and measure and record the transistor voltages in Table 5.

Computer Simulation

19. Build the circuit of Figure 1 in a simulator. Run a DC simulation and record the resulting transistor voltages in Table 6.

Data Tables

$V_{CE (Cutoff)}$	
$I_C (Sat)$	
V_{CEQ}	
I_{CQ}	

Table 1

Transistor	V_B Thry	V_E Thry	V_C Thry	V_B Exp	V_E Exp	V_C Exp	%D V_B	%D V_E	%D V_C
1									
2									
3									

Table 2

Transistor	I_B	I_C	β
1			
2			
3			

Table 3

R_C Theory	R_C Actual	V_C Measured

Table 4

Issue	V_B	V_E	V_C
R_B Short			
R_B Open			
R_C Short			
R_C Open			
R_E Open			
V_{CE} Open			

Table 5

V_B Sim	
V_E Sim	
V_C Sim	

Table 6

Questions

1. Based on the results of Table 1, is the transistor operating in saturation, cutoff or in the linear region?
2. Based on the results of Tables 2 and 3, does the circuit achieve a stable operating point when compared to beta?
3. How does the Emitter Bias circuit compare to Base Bias in terms of Q point stability and complexity?
4. Using the original circuit, determine a new value for the emitter resistance that will yield half of the quiescent collector current recorded in Table 1.

16 Voltage Divider Bias

Objective

The objective of this exercise is to examine the voltage divider bias topology and determine whether or not it produces a stable Q point. Various potential troubleshooting issues are also explored.

Theory Overview

Like Emitter Bias, Voltage Divider Bias seeks to establish a stable Q point by placing a fixed voltage across an emitter resistor. This will result in a stable emitter current, and by extension, stable collector current and collector-emitter voltage. As beta varies, this change will be reflected in a change in base current. With proper design, this change in base current will have little overall impact on circuit performance. One method of obtaining a stable voltage across the emitter resistor is to apply a stiff voltage divider to the base. “Stiff”, in this case, means that the current through the divider resistors should be much higher than the current tapped off of the divider (the current being tapped off is the base current). By doing so, variations in base current will not excessively load the divider and this will lead to a very stable base voltage. The emitter voltage is one base-emitter drop less, and is the potential across the emitter resistor. Hence, the emitter resistor’s voltage will be kept stable.

When troubleshooting, circuit faults often result in either shorted or open components. Typically this will alter the circuit radically and push the Q point into either cutoff or saturation. The fault may also alter the DC load line itself. Once the transistor goes into either cutoff or saturation, normal linear operation will be lost.

Equipment

- | | | |
|--|---------------|------------|
| (1) Adjustable DC Power Supply | model: _____ | srn: _____ |
| (1) DMM | model: _____ | srn: _____ |
| (3) Small signal transistors (2N3904) | | |
| (1) 3.3 k Ω resistor $\frac{1}{4}$ watt | actual: _____ | |
| (1) 4.7 k Ω resistor $\frac{1}{4}$ watt | actual: _____ | |
| (1) 5.6 k Ω resistor $\frac{1}{4}$ watt | actual: _____ | |
| (1) 10 k Ω resistor $\frac{1}{4}$ watt | actual: _____ | |

Schematic

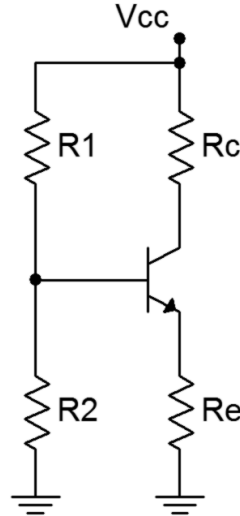


Figure 1

Procedure

DC Load Line

1. Consider the circuit of Figure 1 using $V_{CC} = 10$ volts, $R_1 = 10$ k Ω , $R_2 = 3.3$ k Ω , $R_E = 4.7$ k Ω and $R_C = 5.6$ k Ω . Using the approximation of a lightly loaded “stiff” voltage divider, determine the ideal end points of the DC load line and the Q point, and record these in Table 1.

Circuit Voltages and Beta

2. Continuing with the component values indicated in step one, compute the theoretical base, emitter and collector voltages, and record them in Table 2 (Theory).
3. Build the circuit of Figure 1 using $V_{CC} = 10$ volts, $R_1 = 10$ k Ω , $R_2 = 3.3$ k Ω , $R_E = 4.7$ k Ω and $R_C = 5.6$ k Ω . Measure the base, emitter and collector voltages and record them in the first row of Table 2 (Experimental). Compute the deviations between theoretical and experimental and record these in the first row of Table 2 (% Deviation).
4. Measure the base and collector currents and record these in the first row of Table 3. Based on these, compute and record the experimental beta as well.
5. Swap the transistor with the second transistor and repeat steps 3 and 4 using the second rows of the tables.
6. Swap the transistor with the third transistor and repeat steps 3 and 4 using the third rows of the tables.

Design

- The collector current of the circuit can be altered by a variety of means including changing the emitter resistance. If the base voltage is held constant, the collector current is determined by the emitter resistance via Ohm's law. Redesign the circuit to achieve half of the quiescent collector current recorded in Table 1. Obtain a resistor close to this value, swap out the original emitter resistor and measure the resulting current. Record the appropriate values in Table 4.

Troubleshooting

- Return the original emitter resistor to the circuit. Consider each of the individual faults listed in Table 5 and estimate the resulting base, emitter and collector voltages. Introduce each of the individual faults in turn and measure and record the transistor voltages in Table 5.

Computer Simulation

- Build the circuit of Figure 1 in a simulator. Run a DC simulation and record the resulting transistor voltages in Table 6.

Data Tables

$V_{CE(Cutoff)}$	
$I_C(Sat)$	
V_{CEQ}	
I_{CQ}	

Table 1

Transistor	V_B Thry	V_E Thry	V_C Thry	V_B Exp	V_E Exp	V_C Exp	%D V_B	%D V_E	%D V_C
1									
2									
3									

Table 2

Transistor	I_B	I_C	β
1			
2			
3			

Table 3

$R_{E \text{ Theory}}$	$R_{E \text{ Actual}}$	$I_C \text{ Measured}$

Table 4

Issue	V_B	V_E	V_C
R_2 Short			
R_E Open			
R_C Short			
R_C Open			
V_{CE} Short			
V_{CE} Open			

Table 5

$V_B \text{ Sim}$	
$V_E \text{ Sim}$	
$V_C \text{ Sim}$	

Table 6

Questions

1. Based on the results of Table 1, is the transistor operating in saturation, cutoff or in the linear region?
2. Based on the results of Tables 2 and 3, does the circuit achieve a stable operating point when compared to beta?
3. Based on the measurements of Table 5, is it possible for different circuit problems to produce similar or even identical voltages in the circuit, or is every fault unique in its outcome?
4. What is the required design condition for the voltage divider bias to achieve high Q point stability in spite of changes in beta?
5. Using the original circuit, determine a new value for the collector resistance that will yield a collector voltage of approximately half of the power supply value.

17 Feedback Biasing

Objective

The objective of this exercise is to examine two kinds of feedback biasing: collector feedback and emitter feedback. Both forms potentially are more stable than simple base bias in terms of the impact of beta on collector current.

Theory Overview

By inserting a resistor in either the emitter or collector portions of the transistor circuit, it is possible to partially control the base current in such a way that an increase in beta will cause a decrease in base current which in turn helps to mitigate the tendency of collector current to increase. This will result in circuits that have greater Q point stability than simple base bias circuits although for certain practical reasons they might not be as stable as voltage divider or dual supply emitter bias schemes.

In the collector feedback arrangement, the base resistor is connected from the collector to the base. Therefore, its voltage is one base-emitter drop less than the collector voltage. The collector voltage, in turn, is simply the supply potential minus the collector resistor's drop. Therefore, as the collector current rises, the collector resistor's drop increases, forcing the collector voltage down and thus reducing the base resistor's voltage. By Ohm's law, this means that the base current must decrease. This decrease helps to limit the overall increase in collector current.

The emitter feedback situation is similar. In this instance, as collector current increases the drop across the emitter resistor rises. This will result in an increase in base voltage as it is locked to one base-emitter drop above the emitter. Consequently, as the collector current increases, the voltage across the base resistor decreases which helps to compensate for the original increase in collector current.

Equipment

- | | | |
|--|---------------|------------|
| (1) Adjustable DC Power Supply | model: _____ | srn: _____ |
| (1) DMM | model: _____ | srn: _____ |
| (3) Small signal transistors (2N3904) | | |
| (1) 330 Ω resistor $\frac{1}{4}$ watt | actual: _____ | |
| (1) 470 Ω resistor $\frac{1}{4}$ watt | actual: _____ | |
| (1) 1 k Ω resistor $\frac{1}{4}$ watt | actual: _____ | |
| (1) 220 k Ω resistor $\frac{1}{4}$ watt | actual: _____ | |

Schematics

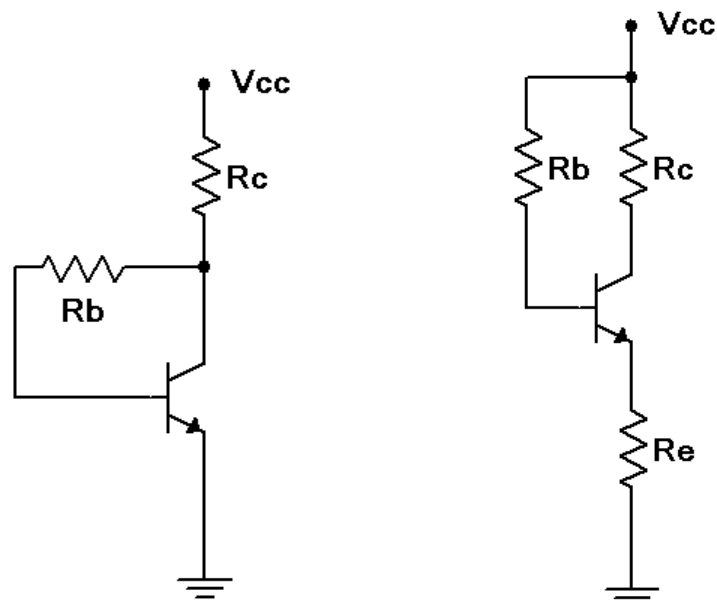


Figure 1

Figure 2

Procedure

Collector Feedback - DC Load Line

1. Consider the circuit of Figure 1 using $V_{cc} = 12$ volts, $R_b = 220$ k Ω and $R_c = 1$ k Ω . Determine the ideal end points of the DC load line and the Q point, and record these in Table 1.

Circuit Voltages and Beta

2. Continuing with the component values indicated in step one, compute the theoretical base, emitter and collector voltages, and record them in Table 2 (Theory).
3. Build the circuit of Figure 1 using $V_{cc} = 12$ volts, $R_b = 220$ k Ω and $R_c = 1$ k Ω . Measure the base, emitter and collector voltages and record them in the first row of Table 2 (Experimental).
4. Measure the base and collector currents and record these in the first row of Table 3. Based on these, compute and record the experimental beta as well.
5. Swap the transistor with the second transistor and repeat steps 3 and 4 using the second rows of the tables.
6. Swap the transistor with the third transistor and repeat steps 3 and 4 using the third rows of the tables.

Stability

7. Based on the measurements of Table 3, determine the maximum percent change of collector current and record in Table 4. Also determine the maximum percent change of beta and record in Table 4.

Emitter Feedback - DC Load Line

8. Consider the circuit of Figure 2 using $V_{cc} = 12$ volts, $R_b = 220 \text{ k}\Omega$, $R_e = 470 \text{ }\Omega$ and $R_c = 330 \text{ }\Omega$. Determine the ideal end points of the DC load line and the Q point, and record these in Table 5.

Circuit Voltages and Beta

9. Continuing with the component values indicated in step one, compute the theoretical base, emitter and collector voltages, and record them in Table 6 (Theory).
10. Build the circuit of Figure 2 using $V_{cc} = 12$ volts, $R_b = 220 \text{ k}\Omega$, $R_e = 470 \text{ }\Omega$ and $R_c = 330 \text{ }\Omega$. Measure the base, emitter and collector voltages and record them in the first row of Table 6 (Experimental).
11. Measure the base and collector currents and record these in the first row of Table 7. Based on these, compute and record the experimental beta as well.
12. Swap the transistor with the second transistor and repeat steps 3 and 4 using the second rows of the tables.
13. Swap the transistor with the third transistor and repeat steps 3 and 4 using the third rows of the tables.

Stability

14. Based on the measurements of Table 7, determine the maximum percent change of collector current and record in Table 8. Also determine the maximum percent change of beta and record in Table 8.

Troubleshooting

15. For the emitter feedback bias circuit, consider each of the individual faults listed in Table 9 and estimate the resulting base, emitter and collector voltages. Introduce each of the individual faults in turn and measure and record the transistor voltages in Table 9.

Data Tables

$V_{CE (Cutoff)}$	
$I_C (Sat)$	
V_{CEQ}	
I_{CQ}	

Table 1

Transistor	$V_{B Thry}$	$V_{E Thry}$	$V_{C Thry}$	$V_{B Exp}$	$V_{E Exp}$	$V_{C Exp}$
1						
2						
3						

Table 2

Transistor	I_B	I_C	β
1			
2			
3			

Table 3

$\% \Delta \beta$	
$\% \Delta I_C$	

Table 4

$V_{CE (Cutoff)}$	
$I_C (Sat)$	
V_{CEQ}	
I_{CQ}	

Table 5

Transistor	$V_{B \text{ Thry}}$	$V_{E \text{ Thry}}$	$V_{C \text{ Thry}}$	$V_{B \text{ Exp}}$	$V_{E \text{ Exp}}$	$V_{C \text{ Exp}}$
1						
2						
3						

Table 6

Transistor	I_B	I_C	β
1			
2			
3			

Table 7

$\% \Delta \beta$	
$\% \Delta I_C$	

Table 8

Issue	V_B	V_E	V_C
R_B Open			
R_E Open			
R_E Short			
R_C Open			
R_C Short			
V_{CE} Open			

Table 9

Questions

1. Based on the results of Tables 4 and 8, do these circuits achieve a stable operating point when compared to beta?
2. Which circuit is more stable in this exercise; the emitter feedback bias or the collector feedback bias? Is it safe to say that this will always be the case for any emitter feedback bias circuit versus any collector feedback bias circuit?
3. Are the transistor voltages always as stable as the collector current or can they be more or less stable?
4. Based on the collector current equation derivations for the two circuits, derive the collector current equation for a combination circuit which consists of a collector feedback bias circuit with an emitter resistor added.

18 PNP Transistors

Objective

The objective of this exercise is to investigate the practical differences between circuits implemented with PNP transistors versus NPN transistors. PNP versions of basic biasing and LED driver circuits will be used.

Theory Overview

On a practical level, PNP transistors may be thought of as a mirror image of their NPN counterparts. That is, all of the device's voltage polarities and current directions will be opposite of those found with NPNs. In fact, a simple way to turn an NPN circuit into an equivalent PNP circuit is to swap out the transistor and then flip the polarity of the power supply (or supplies, as the case may be). The resulting circuit will produce essentially the same voltages and currents as the original but with reversed polarities. By no means are negative power supplies a requirement to use PNPs, though. Commonly, the circuit is “flipped top to bottom” and implemented with a positive supply. In this case the emitter will be found toward the top and the collector toward the bottom. In some instances this orientation may also reverse the operational logic of the circuit. For example, the “flipped” PNP LED driver becomes an inverting driver. That is, a logic low will light the LED instead of a logic high.

Equipment

- (1) Adjustable DC Power Supply model: _____ srn: _____
- (1) DMM model: _____ srn: _____
- (3) Small signal PNP transistors (2N3906)
- (1) LED
- (1) 220 Ω resistor $\frac{1}{4}$ watt actual: _____
- (1) 3.3 k Ω resistor $\frac{1}{4}$ watt actual: _____
- (1) 4.7 k Ω resistor $\frac{1}{4}$ watt actual: _____
- (1) 5.6 k Ω resistor $\frac{1}{4}$ watt actual: _____
- (1) 10 k Ω resistor $\frac{1}{4}$ watt actual: _____

2N3906 Datasheet: <https://www.onsemi.com/pub/Collateral/2N3906-D.PDF>

Schematics

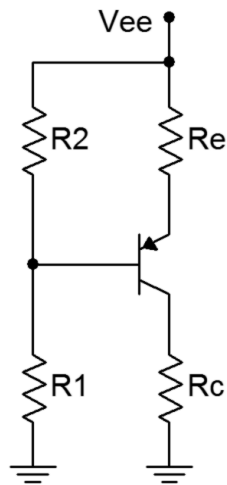


Figure 1

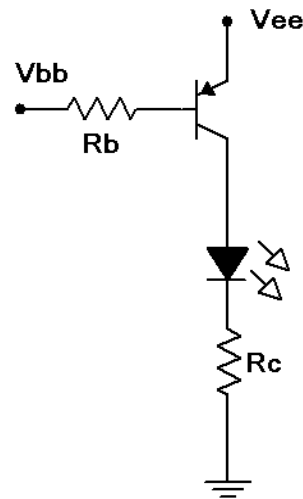


Figure 2

Procedure

PNP Voltage Divider

1. Consider the circuit of Figure 1 using $V_{ee} = 10$ volts, $R_1 = 10$ k Ω , $R_2 = 3.3$ k Ω , $R_e = 4.7$ k Ω and $R_c = 5.6$ k Ω . Using the approximation of a lightly loaded “stiff” voltage divider, determine the theoretical base, emitter and collector voltages, and record them in Table 1 (Theory).
2. Build the circuit of Figure 1 using $V_{ee} = 10$ volts, $R_1 = 10$ k Ω , $R_2 = 3.3$ k Ω , $R_e = 4.7$ k Ω and $R_c = 5.6$ k Ω . Measure the base, emitter and collector voltages and record them in the first row of Table 1 (Experimental).
3. Swap the transistor with the second transistor and repeat steps 1 and 2 using the second row of the table.
4. Swap the transistor with the third transistor and repeat steps 1 and 2 using the third row of the table.

Troubleshooting

5. Consider each of the individual faults listed in Table 2 and estimate the resulting base, emitter and collector voltages. Introduce each of the individual faults in turn and measure and record the transistor voltages in Table 2.

PNP LED Driver

6. Consider the PNP saturating switch of Figure 2 using $V_{ee} = V_{bb} = 5$ volts, $R_b = 4.7 \text{ k}\Omega$ and $R_c = 220 \text{ }\Omega$. Without a base-emitter differential, the circuit will be in cutoff. Calculate the base and collector currents along with the collector-emitter voltage and record them in the first row of Table 3 (Theory).
7. Build the saturating switch of Figure 2 using $V_{ee} = V_{bb} = 5$ volts, $R_b = 4.7 \text{ k}\Omega$ and $R_c = 220 \text{ }\Omega$. Measure and record the base and collector currents along with the collector-emitter voltage, and record them in the first row of Table 3 (Experimental). Also compute and record the deviations between theory and experimental results.
8. Remove the base resistor from V_{bb} and connect it to ground. As the circuit is in saturation, the theoretical V_{CE} is close to zero and may be found on the the transistor data sheet via the V_{CE}/I_C saturation graph. Determine the theoretical base and collector currents along with the collector-emitter voltage and record them in the second row of Table 3. Measure these parameters, record them in Table 3, and also compute and record the resulting deviations.
9. Reconnect the base resistor to the V_{bb} supply and swap in the second transistor. Repeat steps 3 and 4 using the next two rows of Table 3.
10. Reconnect the base resistor to the V_{bb} supply and swap in the third transistor. Repeat steps 3 and 4 using the final two rows of Table 3.

Design

11. A simple way to program the LED current in the driver is by altering the collector resistor. First, measure the LED potential while it is lit. Assuming that the collector-emitter saturation voltage is negligible, all of the power supply voltage will drop across the collector resistor when the LED is lit, with the exception of the LED voltage. Ohm's law can then be used to determine a resistance value for a desired target current. Compute the required value of resistance to achieve an LED current of 8 mA. Replace the collector resistor with the nearest value available and measure the resulting current. Record the appropriate values in Table 4.

Data Tables

Transistor	$V_{B \text{ Thry}}$	$V_{E \text{ Thry}}$	$V_{C \text{ Thry}}$	$V_{B \text{ Exp}}$	$V_{E \text{ Exp}}$	$V_{C \text{ Exp}}$
1						
2						
3						

Table 1

Issue	V_B	V_E	V_C
R_2 Short			
R_E Open			
R_C Short			
R_C Open			
V_{CE} Short			
V_{CE} Open			

Table 2

Vbb	I_B Theory	I_C Theory	V_{CE} Theory	I_B Exp	I_C Exp	V_{CE} Exp
5						
0						
5						
0						
5						
0						

Table 3

R_C Theory	R_C Actual	I_C Measured

Table 4

Questions

1. Is the PNP voltage divider circuit as stable as its NPN counterpart studied earlier?
2. Compare the NPN voltage divider lab results to this PNP version. If the various transistor voltages are added together (e.g., NPN base voltage plus PNP base voltage), a constant results. What is the significance of this value and will it always work out in this fashion? Why/why not?
3. Do the troubleshooting faults presented in the PNP circuit produce similar transistor voltages compared to the same faults in the NPN version of the circuit? Why/why not?
4. How does the operational logic of the PNP LED driver compare to the NPN version of the same circuit?
5. Are the LED current design considerations the same as those of the NPN version?

19

Common Emitter Amplifier

Objective

The objective of this exercise is to examine the characteristics of a common emitter amplifier, specifically voltage gain, input impedance and output impedance. A method for experimentally determining input and output impedance is investigated along with various potential troubleshooting issues.

Theory Overview

An ideal common emitter amplifier simply multiplies the input function by a constant value while also inverting the signal. The voltage amplification factor, A_v , is largely a function of the AC load resistance at the collector and the internal emitter resistance, r'_e . This internal resistance is, in turn, inversely proportional to the DC emitter current. Therefore, if the underlying bias is stable with changes in beta, the voltage gain will also be stable. The circuit will appear as an impedance to the signal source, Z_{in} . This impedance is approximately equal to the base biasing resistor(s) in parallel with the impedance seen looking into the base ($Z_{in(base)}$) which is approximately equal to $\beta r'_e$. Consequently, the amplifier's input impedance may experience some variation with beta. In contrast, the circuit's output impedance as seen by the load is approximately equal to the DC collector biasing resistor.

From a practical standpoint, input and output impedance cannot be measured directly with an ohmmeter. This is because ohmmeters measure resistance by sending out a small "sensing" current. The DC bias and AC signal currents will interact with this current and produce an unreliable result. Instead, impedances can be measured indirectly through a voltage divider effect. That is, if the voltages of both legs of a voltage divider can be measured and the resistance of one of the legs is known, the remaining resistance may be determined using Ohm's law or the voltage divider rule.

Equipment

- | | | |
|---------------------------------------|---------------|------------|
| (1) Dual adjustable DC power supply | model: _____ | srn: _____ |
| (1) DMM | model: _____ | srn: _____ |
| (1) Dual channel oscilloscope | model: _____ | srn: _____ |
| (1) Function generator | model: _____ | srn: _____ |
| (3) Small signal transistors (2N3904) | | |
| (1) 10 k Ω resistor ¼ watt | actual: _____ | |
| (1) 15 k Ω resistor ¼ watt | actual: _____ | |
| (1) 20 k Ω resistor ¼ watt | actual: _____ | |
| (1) 22 k Ω resistor ¼ watt | actual: _____ | |
| (1) 33 k Ω resistor ¼ watt | actual: _____ | |
| (2) 10 μ F capacitors | actual: _____ | |

(1) 470 μF capacitor

actual: _____

Schematics

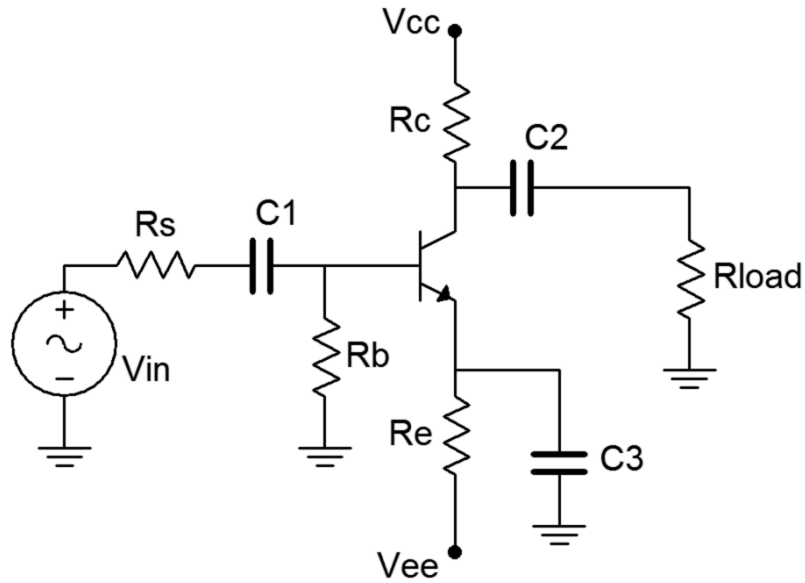


Figure 1

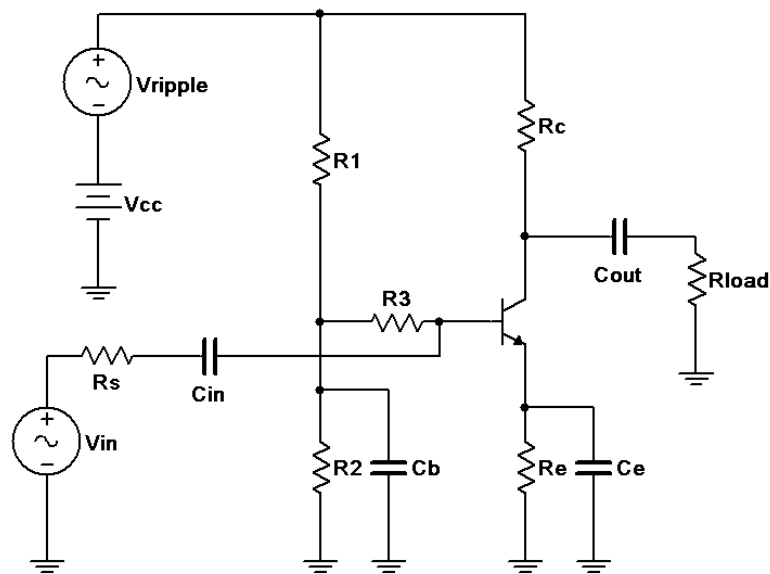


Figure 2

Procedure

DC Circuit Voltages

1. Consider the circuit of Figure 1 using $V_{cc} = 15$ volts, $V_{ee} = -12$ volts, $R_s = 10$ k Ω , $R_b = 33$ k Ω , $R_e = 22$ k Ω , $R_c = 15$ k Ω , $R_{load} = 20$ k Ω , $C_1 = C_2 = 10$ μ F and $C_3 = 470$ μ F. Using the approximation of a negligible base voltage, determine the DC voltages at the base, emitter, and collector along with the collector current, and record these in Table 1.
2. Build the circuit of Figure 1 using $V_{cc} = 15$ volts, $V_{ee} = -12$ volts, $R_s = 10$ k Ω , $R_b = 33$ k Ω , $R_e = 22$ k Ω , $R_c = 15$ k Ω , $R_{load} = 20$ k Ω , $C_1 = C_2 = 10$ μ F and $C_3 = 470$ μ F. Make sure that the AC source is turned off or disconnected. Measure the DC voltages at the base, emitter, and collector along with the collector current, and record these in Table 1. Note, you may wish to use a transistor curve tracer or beta checker to get approximate values of beta for each of the three transistors to be used.

AC Circuit Voltages

3. Based on the calculated collector current, determine the resulting theoretical r'_e , A_v , Z_{in} and Z_{out} , and record these in Table 2. Assume a beta of approximately 150 for the Z_{in} calculation.
4. Continuing with the values in Table 2 and using an AC source voltage of a 40 mV peak-peak 1 kHz sine wave, compute the theoretical AC base, emitter and load voltages, and record them in Table 3 (Theory). Note that R_s will create a voltage divider effect with Z_{in} , thus reducing the signal that reaches the base. This reduced signal is then multiplied by the voltage gain and appears at the collector.
5. Set the source to a 40 mV peak-peak 1 kHz sine wave and apply to the circuit. Using the oscilloscope, place one probe at the base and the second at the emitter. Record the resulting peak-peak voltages in the first row of Table 3 (Experimental). The oscilloscope inputs should be set for AC coupling with the bandwidth limit engaged. Capture an image of the oscilloscope display.
6. Move the second probe to the load and record its peak-peak value in the first row of Table 3. Also include whether the signal is in phase or out of phase with the base signal. Capture an image of the oscilloscope display.
7. Unhook the load resistor from the output capacitor and measure the resulting collector voltage (do not connect the output capacitor to ground—simply leave it dangling). Record this value in the final column of Table 3.
8. Reattach the load resistor. Swap the transistor with the second transistor and repeat steps 5 through 7 using the second row of Table 3.

9. Reattach the load resistor. Swap the transistor with the third transistor and repeat steps 5 through 7 using the third row of Table 3.
10. Using the measured base and collector voltages from Table 3, determine the experimental gain for each transistor. From these gains determine the experimental r'_e . Using the source voltage, the measured base voltages and the source resistance, determine the effective input impedances via Ohm's law or the voltage divider rule. Finally, in similar manner and using the loaded and unloaded collector voltages along with the load resistor value, determine the experimental output impedances. Record these values in Table 4. Also determine and record the percent deviations.

Troubleshooting

11. Return the load resistor to the circuit. Consider each of the individual faults listed in Table 5 and estimate the resulting AC load voltage. Introduce each of the individual faults in turn and measure and record the load voltage in Table 5.

Computer Simulation

12. One issue with amplifiers is noise and ripple on the power supply. This will be directly coupled to output of the circuit via the collector resistor. Worse, this noise or ripple may be coupled into the base and then amplified along with the desired input signal. This can be an issue with amplifiers that use a voltage divider bias. One way to reduce this effect is to decouple the voltage divider from the base. This modification is shown in the circuit of Figure 2. C_b effectively shorts R_2 , sending power supply noise and ripple to ground instead of into the base. By itself this would also short the desired input signal so an extra resistor, R_3 is added between the capacitor and the base. The input impedance of the circuit is approximately equal to R_3 in parallel with $\beta r'_e$. To show the effectiveness of this technique, build the circuit of Figure 2 in a simulator. Use values of $V_{in} = 20$ mV peak at 1 kHz, $V_{ripple} = 20$ mV peak at 120 Hz, $V_{cc} = 12$ volts, $R_s = 1$ k Ω , $R_1 = 10$ k Ω , $R_2 = 3.3$ k Ω , $R_3 = 22$ k Ω , $R_e = 4.7$ k Ω , $R_c = 3.3$ k Ω , $R_{load} = 1$ k Ω , $C_{in} = C_{out} = 10$ μ F, $C_b = 100$ μ F and $C_e = 470$ μ F. Run a Transient simulation and look at the load voltage. A very small low frequency variation should be noted. This is the 120 Hz ripple coupled in through the collector resistor. Alter the circuit by removing C_b and R_3 to produce the basic voltage divider circuit (or more simply, set C_b and R_3 to extremely small values such as pF and m Ω). Rerun the simulation. The load voltage should now show a much more obvious ripple contribution, thus showing how effective the power supply decoupling components can be.

Data Tables

$V_{B \text{ Thry}}$	$V_{E \text{ Thry}}$	$V_{C \text{ Thry}}$	$I_{C \text{ Thry}}$	$V_{B \text{ Exp}}$	$V_{E \text{ Exp}}$	$V_{C \text{ Exp}}$	$I_{C \text{ Exp}}$

Table 1

r'_{e}	A_v	Z_{in}	Z_{out}

Table 2

Transistor	$V_{B \text{ Thry}}$	$V_{E \text{ Thry}}$	$V_{L \text{ Thry}}$	$V_{B \text{ Exp}}$	$V_{E \text{ Exp}}$	$V_{L \text{ Exp}}$	Phase V_L	$V_{L \text{ No Load}}$
1								
2								
3								

Table 3

Transistor	$A_v \text{ Exp}$	$r'_{e \text{ Exp}}$	$Z_{in \text{ Exp}}$	$Z_{out \text{ Exp}}$	%D A_v	%D r'_{e}	%D Z_{in}	%D Z_{out}
1								
2								
3								

Table 4

Issue	V_{Load}
R_B Short	
C_1 Open	
R_C Short	
R_C Open	
R_E Open	
C_2 Open	
C_3 Open	
V_{CE} Open	

Table 5

Questions

1. Does the common emitter amplifier produce a considerable amplification effect and if so, are the results consistent across transistors?
2. Does the common emitter amplifier produce a phase shift at the output and if so, is it affected by the transistor beta?
3. If the collector and base voltages had been measured with the oscilloscope DC coupled, how would the measurements of Table 3 have changed?
4. Does the value of the transistor beta play any role in setting the input impedance? Was a considerable variation in input impedance apparent?

20 Swamped CE Amplifier

Objective

The objective of this exercise is to examine the characteristics of a swamped common emitter amplifier, specifically the effects of swamping on voltage gain, input impedance and distortion.

Theory Overview

As the signal current changes in a transistor, the total current flowing through the emitter changes along with it. As a result, these changes produce small changes in r'_e which in turn changes the voltage gain. In other words, the gain changes throughout the signal producing slightly more or less gain at some points along the signal than others. These changes show up as a squashing or elongating of the positive and negative peaks of the output signal. Generally, these forms of waveform distortion are to be avoided. Also, they tend to worsen as the output signal amplitude increases. A method of mitigating this distortion is to add AC resistance to the emitter portion of the circuit. This added resistance tends to buffer or “swamp out” the changes in r'_e and therefore reduces the distortion. A side bonus is that $Z_{in(base)}$ will also be increased which will result in an increased Z_{in} to the circuit. On the downside, the added resistance will lower the voltage gain. Consequently the swamped amplifier exhibits a lower gain but one of higher quality. In general, the larger the swamping resistance is compared to r'_e , the greater the effects on distortion, gain and input impedance.

Equipment

- | | | |
|---------------------------------------|---------------|------------|
| (1) Dual adjustable DC power supply | model: _____ | srn: _____ |
| (1) DMM | model: _____ | srn: _____ |
| (1) Dual channel oscilloscope | model: _____ | srn: _____ |
| (1) Low distortion function generator | model: _____ | srn: _____ |
| (1) Distortion analyzer | model: _____ | srn: _____ |
| (1) Small signal transistor (2N3904) | | |
| (1) 220 Ω resistor ¼ watt | actual: _____ | |
| (1) 1 k Ω resistor ¼ watt | actual: _____ | |
| (1) 10 k Ω resistor ¼ watt | actual: _____ | |
| (1) 15 k Ω resistor ¼ watt | actual: _____ | |
| (1) 20 k Ω resistor ¼ watt | actual: _____ | |
| (1) 22 k Ω resistor ¼ watt | actual: _____ | |
| (1) 33 k Ω resistor ¼ watt | actual: _____ | |
| (2) 10 μ F capacitors | actual: _____ | |
| (1) 470 μ F capacitor | actual: _____ | |

Schematic

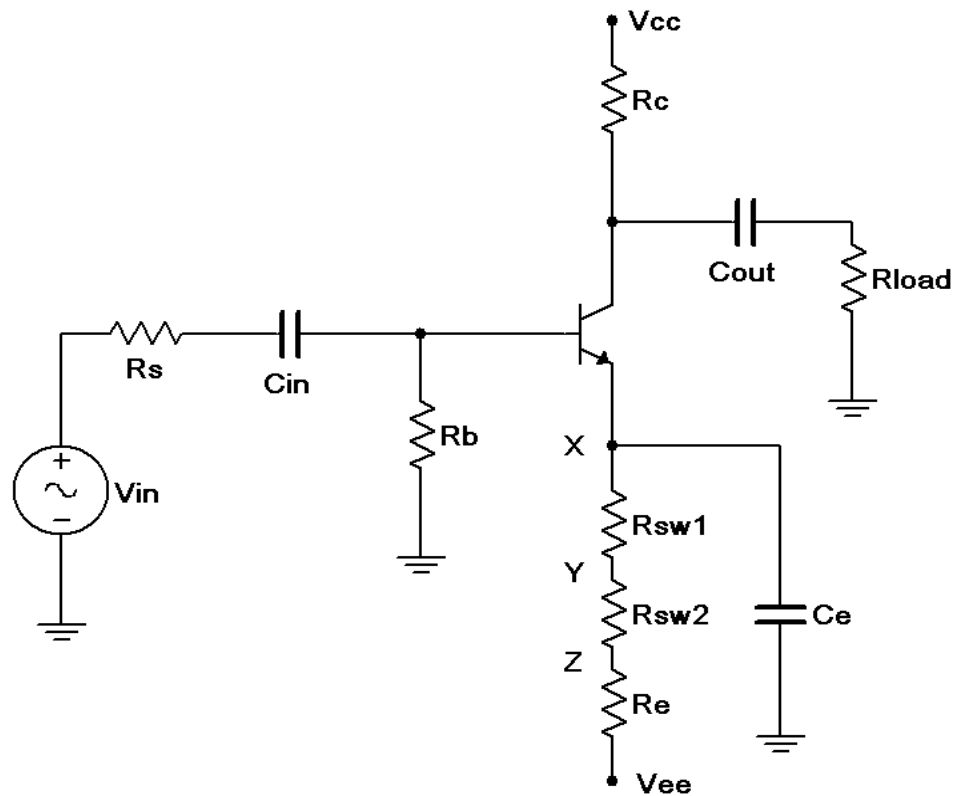


Figure 1

Procedure

AC Circuit Voltages

1. Consider the circuit of Figure 1 using $V_{cc} = 15$ volts, $V_{ee} = -12$ volts, $R_s = 10$ k Ω , $R_b = 33$ k Ω , $R_e = 22$ k Ω , $R_{sw1} = 220$ Ω , $R_{sw2} = 1$ k Ω , $R_c = 15$ k Ω , $R_{load} = 20$ k Ω , $C_{in} = C_{out} = 10$ μ F and $C_e = 470$ μ F. Using the approximation of a negligible DC base voltage, determine the DC collector current and r'_e , and record these in Table 1. Using the r'_e , calculate the expected Z_{in} , $Z_{in(base)}$, and A_v for the X, Y and Z connection points for C_e (shown at position X in the schematic). Record these in Table 2. If a transistor curve tracer or beta checker is not available to get an approximate value of beta for the transistor, estimate it at 150.
2. Build the circuit of Figure 1 using $V_{cc} = 15$ volts, $V_{ee} = -12$ volts, $R_s = 10$ k Ω , $R_b = 33$ k Ω , $R_e = 22$ k Ω , $R_{sw1} = 220$ Ω , $R_{sw2} = 1$ k Ω , $R_c = 15$ k Ω , $R_{load} = 20$ k Ω , $C_{in} = C_{out} = 10$ μ F and $C_e = 470$ μ F. Connect C_e to position X. Disconnect the signal source and check the DC transistor voltages to ensure that the circuit is biased correctly (note, the DC equivalent circuit is very similar to the ones used in the [Emitter Bias](#) Exercise and should exhibit similar DC voltage readings).

3. Using a 1 kHz sine wave setting, apply the signal source to the amplifier and adjust it to achieve a **load voltage** of 2 volts peak-peak.
4. Measure the AC peak-peak voltages at the source, the base, and the load, and record these in Table 3. The load waveforms may exhibit some asymmetry due to distortion so be sure to record the peak-peak voltage not the peak. If asymmetry is observed between the positive and negative peaks, make a note of it. Also, capture images of the oscilloscope displays (V_s with V_b and V_b with V_{load}).
5. Set the distortion analyzer to 1 kHz and % total harmonic distortion (% THD). Apply it across the load and record the resulting reading in the final column of Table 3.
6. Remove the distortion analyzer and connect C_e to position Y instead of X. Repeat steps 3, 4 and 5.
7. Remove the distortion analyzer and connect C_e to point Z instead of Y. Repeat steps 3, 4 and 5.
8. Using the measured base and load voltages from Table 3, determine the experimental gain for the transistor. Using the measured source and base voltages along with the source resistance, determine the effective input impedances via Ohm's law or the voltage divider rule. Record these values in Table 4. Also determine and record the percent deviations.

Computer Simulation

9. Build the circuit in a simulator and run three sets of simulations, one for each of the three C_e positions. For each trial, set the AC source voltage to the value measured in Table 3 ($V_{S\text{Exp}}$). Run a Transient Analysis and inspect the voltages at the base and load. The AC source voltage may have to be adjusted slightly to achieve the desired the desired 2 volt peak-peak load voltage. Record these values in Table 5. Run the Distortion or Fourier Analysis at the load and record the resulting THD value in Table 5 as well.

Data Tables

I_C	
r'_e	

Table 1

Position	A_v Theory	$Z_{in(Base)}$ Theory	Z_{in} Theory
X			
Y			
Z			

Table 2

Position	$V_{S\ Exp}$	$V_{B\ Exp}$	$V_{L\ Exp}$	% THD
X				
Y				
Z				

Table 3

Position	$A_v\ Exp$	$Z_{in\ Exp}$	%Dev A_v	%Dev Z_{in}
X				
Y				
Z				

Table 4

Position	$V_{S\ Sim}$	$V_{B\ Sim}$	$V_{L\ Sim}$	% Distortion
X				
Y				
Z				

Table 5

Questions

1. In summary, what are the effects of swamping?
2. Is the change in voltage gain directly proportional to the amount of swamping?
3. Is the change in input impedance directly proportional to the amount of swamping?
4. Is the change in distortion directly proportional to the amount of swamping?
5. Are THD levels below 1% easily discerned on a simple oscilloscope display?
6. Why is it important that the load voltage be set to the same value in each of the three trials instead of setting the source to the same value?

21 Frequency Limits

Objective

This exercise focuses on the analysis of the frequency limits of a transistor amplifier. The elements contributing to both the lower and upper limits of frequency performance are examined, thus defining the midband region of the circuit.

Theory Overview

As the signal frequency extends to very high or very low frequencies, capacitive effects on gain can no longer be ignored or idealized as shorts or opens. At low frequencies, coupling and bypass capacitors in conjunction with surrounding resistance create lead networks that cause a reduction in voltage gain. At higher frequencies, small shunting capacitances associated with individual devices and circuit wiring create lag networks. These will also create a reduction in voltage gain. In general, the highest critical frequency among the lead networks creates the amplifier's lower limit frequency, f_1 . In contrast, the lowest critical frequency among the lag networks creates the amplifier's upper limit frequency, f_2 . These points are defined as the half-power points and can be determined experimentally by finding those frequencies at which the output voltage (and hence, voltage gain) has fallen to 70.7% of the midband value. The values are found theoretically by Thevenizing the circuitry around the capacitor in question, reducing it to a single resistance, and solving for the critical frequency, f_c .

Equipment

- | | | |
|--------------------------------------|---------------|------------|
| (1) Dual adjustable DC power supply | model: _____ | srn: _____ |
| (1) DMM | model: _____ | srn: _____ |
| (1) Dual channel oscilloscope | model: _____ | srn: _____ |
| (1) Function generator | model: _____ | srn: _____ |
| (1) Small signal transistor (2N3904) | | |
| (1) 10 k Ω resistor ¼ watt | actual: _____ | |
| (1) 15 k Ω resistor ¼ watt | actual: _____ | |
| (1) 20 k Ω resistor ¼ watt | actual: _____ | |
| (1) 22 k Ω resistor ¼ watt | actual: _____ | |
| (1) 33 k Ω resistor ¼ watt | actual: _____ | |
| (1) 2.2 nF capacitor | actual: _____ | |
| (1) 10 nF capacitor | actual: _____ | |
| (2) 10 μ F capacitors | actual: _____ | |
| (1) 470 μ F capacitor | actual: _____ | |

Schematic

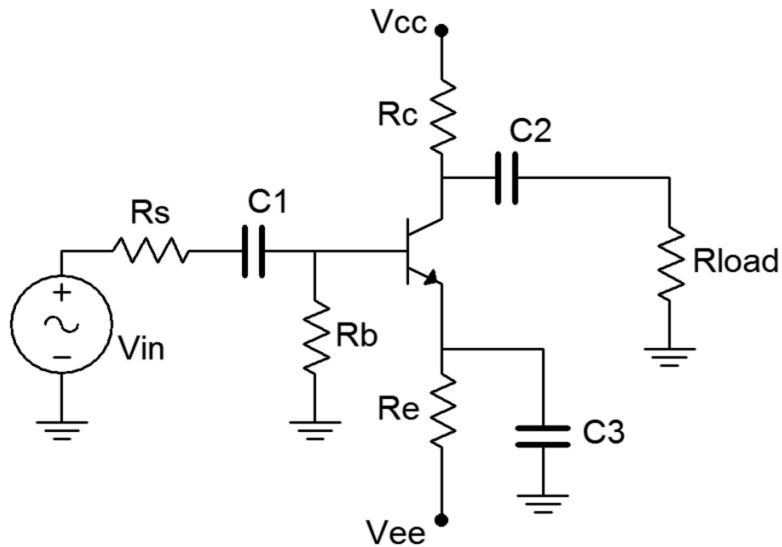


Figure 1

Procedure

Midband Response

1. The circuit of Figure 1 is the same as the one used in the Common Emitter Amplifier exercise. The values used were $V_{cc} = 15$ volts, $V_{ee} = -12$ volts, $R_s = 10$ k Ω , $R_b = 33$ k Ω , $R_e = 22$ k Ω , $R_c = 15$ k Ω , $R_{load} = 20$ k Ω , $C_1 = C_2 = 10$ μ F and $C_3 = 470$ μ F. It was shown that the amplifier produced considerable voltage at 1 kHz. Build the circuit using these values and verify that it is operating correctly by setting V_{in} to a 40 mV peak-peak sine wave at 1 kHz and measuring V_{out} . Compute the voltage gain and record these two values in Table 1.
2. Compute the expected critical frequencies of the input and output coupling networks along with the emitter bypass network and record the values in Table 2. Include the Thevenized resistance for each equivalent circuit.

Lower Frequency Limit

3. The input coupling network can be made clearly dominant by replacing C_1 with a smaller value. Decreasing C_1 from 10 μ F to 10 nF will increase its critical frequency by a factor of 1000. Replace C_1 with this value.
4. Set the AC source voltage to a 40 mV peak-peak 10 kHz sine wave. Note the output level at the load. Sweep the frequency between 5 kHz and 20 kHz to verify that the gain is stable. Decrease the input frequency until the load signal drops to 70.7% of the 10 kHz level. Record this value in Table 3.

5. The output network may be examined in a similar fashion. Return C1 to 10 μF , replace C2 with a 10 nF and repeat step 4.
6. Return C2 to the original 10 μF capacitor before proceeding.

Upper Frequency Limit

7. The upper frequency limit is controlled by small device and wiring capacitances that will vary with the precise components used and the circuit layout. To minimize potential errors, a large load capacitance can be shunted across Rload to bring the critical frequency down to an easily managed frequency. This could also represent the effect of cable capacitance.
8. Place a 2.2 nF capacitor across the load. Compute the effective resistance of the lag network and its corresponding critical frequency in Table 4.
9. Set the AC source voltage to a 40 mV peak-peak 1 kHz sine wave. Note the output level at the load. Sweep the frequency around 1 kHz to verify that the gain is stable. Increase the input frequency until the load signal drops to 70.7% of the 1 kHz level. Record this value in Table 4.

Computer Simulation

10. Perform an AC Analysis (Bode plot) of the amplifier using the original capacitor values and for the three variations. Plot the gain from 1 Hz to 10 MHz for the original circuit and from 10 Hz to 100 kHz for the three variations. Compare the simulated results to the experimental values.

Data Tables

V_{in}	V_{out}	A_v

Table 1

Network	R_{thev}	f_c
Input		
Output		
Bypass		

Table 2

Capacitor	f_c Theory	f_c Exp	%Dev
$C_1=10$ nF			
$C_2=10$ nF			

Table 3

R_{out}	f_{out} Theory	f_{out} Exp	%Dev

Table 4

Questions

1. What effect might resistor and capacitor tolerance have on critical frequencies?
2. Does beta variation have an impact on frequency response? If so, how?
3. Explain the possible effects of load impedance on the frequency response of the amplifier.

22 Voltage Follower

Objective

The objective of this exercise is to examine the characteristics of a voltage follower, specifically an emitter follower using a Darlington pair. Voltage gain, input impedance and distortion will all be examined.

Theory Overview

The function of a voltage follower is to present a high input impedance and a low output impedance with a non-inverting gain of one. This allows the load voltage to accurately track or follow the source voltage in spite of a large source/load impedance mismatch. Ordinarily this mismatch would result in a large voltage divider loss. Consequently, followers are often used to drive a low impedance load or to match a high impedance source. While typical laboratory sources exhibit low internal impedances, some circuits and passive transducers can exhibit quite high internal impedances. For example, electric guitar pickups can exhibit in excess of 10 k Ω at certain frequencies. Although the voltage gain may be approximately one, current gain and power gain can be quite high, especially if a Darlington pair is used. Besides unity voltage gain and a high Z_{in} and low Z_{out} , followers also tend to exhibit low levels of distortion.

The Darlington pair effectively produces a “beta times beta” effect by feeding the emitter current of one device into the base of a second transistor. This also produces the effect of doubling both the effective V_{BE} and r'_e .

Equipment

- | | | |
|--|---------------|------------|
| (1) Dual adjustable DC power supply | model: _____ | srn: _____ |
| (1) DMM | model: _____ | srn: _____ |
| (1) Dual channel oscilloscope | model: _____ | srn: _____ |
| (1) Low distortion function generator | model: _____ | srn: _____ |
| (1) Distortion analyzer | model: _____ | srn: _____ |
| (2) Small signal transistors (2N3904) | | |
| (1) 220 Ω resistor $\frac{1}{4}$ watt | actual: _____ | |
| (1) 1 k Ω resistor $\frac{1}{4}$ watt | actual: _____ | |
| (1) 22 k Ω resistor $\frac{1}{4}$ watt | actual: _____ | |
| (1) 470 k Ω resistor $\frac{1}{4}$ watt | actual: _____ | |
| (1) 10 μ F capacitor | actual: _____ | |
| (1) 470 μ F capacitor | actual: _____ | |

Schematic

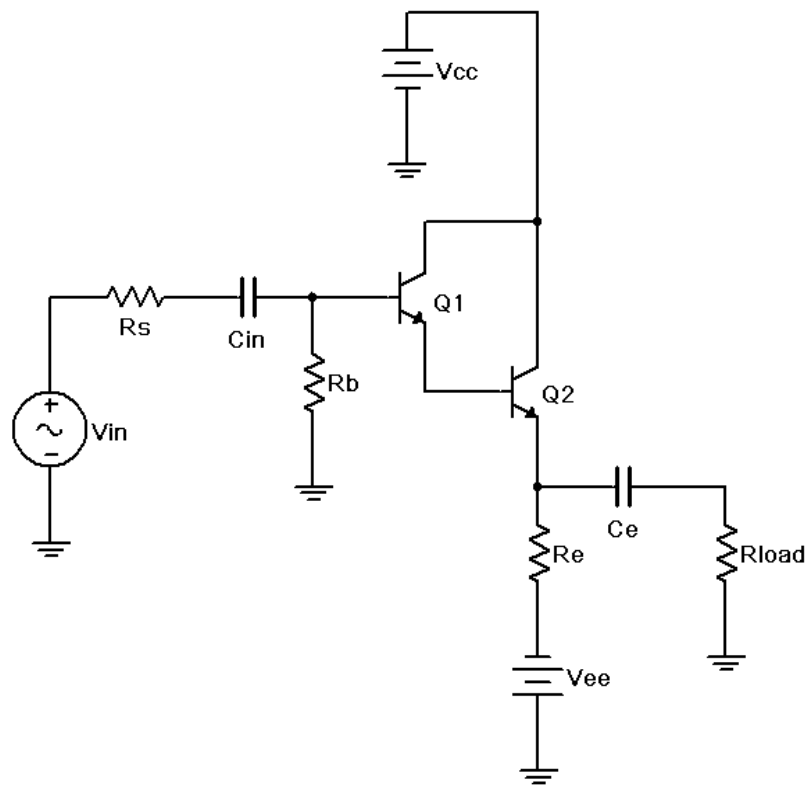


Figure 1

Procedure

1. Consider the circuit of Figure 1 using $V_{cc} = 5$ volts, $V_{ee} = -12$ volts, $R_s = 22$ k Ω , $R_b = 470$ k Ω , $R_e = 1$ k Ω , $R_{load} = 220$ Ω , $C_{in} = 10$ μ F and $C_e = 470$ μ F. Using the approximation of a negligible DC base voltage, determine the DC collector current and r'_e , and record these in Table 1. Using the r'_e , calculate the expected Z_{in} , $Z_{in(base)}$, Z_{out} and A_v . Record these in Table 2. If a transistor curve tracer or beta checker is not available to get an approximate value of beta for the transistors, estimate the pair at 10,000.
2. Build the circuit of Figure 1 using $V_{cc} = 5$ volts, $V_{ee} = -12$ volts, $R_s = 22$ k Ω , $R_b = 470$ k Ω , $R_e = 1$ k Ω , $R_{load} = 220$ Ω , $C_{in} = 10$ μ F and $C_e = 470$ μ F. Disconnect the signal source and check the DC transistor voltages to ensure that the circuit is biased correctly. (Note: The base should be close to zero while the emitter will be two V_{BE} drops less, or about -1.4 VDC.)

3. Using a 1 kHz sine wave setting, apply the signal source to the amplifier and adjust it to achieve a **source voltage** of 2 volts peak-peak (i.e., to the left of R_s).
4. Measure the AC peak-peak voltages at the source, the base, and the load, and record these in Table 3. Also note the phase of the load voltage compared to the source. If distortion asymmetry is observed between the positive and negative peaks, make a note of it. Also, capture images of the oscilloscope displays (V_s with V_b and V_b with V_{load}).
5. Set the distortion analyzer to 1 kHz and % total harmonic distortion (% THD). Apply it across the load and record the resulting reading in Table 3.
6. Finally, unhook (i.e., open) the load and measure the resulting load voltage. Record this in the final column of Table 3.
7. Using the measured base and load voltages from Table 3, determine the experimental gain for the circuit. Using the measured source and base voltages along with the source resistance, determine the effective input impedance via Ohm's law or the voltage divider rule. In similar fashion, using the loaded and unloaded load voltages along with the load resistance, determine the effective output impedance. Record these values in Table 4. Also determine and record the percent deviations.

Troubleshooting

8. Return the load resistor to the circuit. Consider each of the individual faults listed in Table 5 and estimate the resulting AC load voltage. Introduce each of the individual faults in turn and measure and record the load voltage in Table 5.

Computer Simulation

9. Build the circuit in a simulator and run a Transient Analysis. Use a 1 kHz 1 volt peak sine for the source. Inspect the voltages at the source, base and load. Record these values in Table 6. Run the Distortion or Fourier Analysis at the load and record the resulting THD value in Table 6.

Data Tables

I_c	
r'_e	

Table 1

A_v Theory	$Z_{in(Base)}$ Theory	Z_{in} Theory	Z_{out} Theory

Table 2

$V_{S\ Exp}$	$V_{B\ Exp}$	$V_{L\ Exp}$	Phase V_L	% THD	$V_{L\ No\ Load}$

Table 3

$A_v\ Exp$	$Z_{in\ Exp}$	$Z_{out\ Exp}$	%Dev A_v	%Dev Z_{in}	%Dev Z_{out}

Table 4

Issue	V_{Load}
R_b Short	
C_{in} Open	
R_e Open	
C_e Open	
R_{Load} Short	
V_{CE} Open	
V_{CC} Open	

Table 5

$V_{S\ Sim}$	$V_{B\ Sim}$	$V_{L\ Sim}$	% Distortion

Table 6

Questions

1. Would the results of this exercise have been considerably different if the load had been ten times larger? What does that say about the performance of the circuit?
2. If the 22 k source had been directly connected to the 220 load without the follower in between, what would be the load voltage?
3. How do the THD levels of the follower compare to those of the swamped common emitter amplifier?
4. How would the circuit parameters change if a Darlington pair had not been used?

23 Class A Power Analysis

Objective

The objective of this exercise is to examine large signal class A operation. A voltage follower will be investigated by plotting the AC load line and determining output compliance, maximum load power, supplied DC power and efficiency. The effects of clipping will be noted.

Theory Overview

The maximum output signal, or compliance, of a class A amplifier is determined by its AC load line. The maximum peak level is determined by the smaller of V_{CEQ} and $I_{CQ} \cdot r_{Load}$. If either of these levels is hit, the output signal will begin to clip causing greatly increased distortion. Knowing this voltage and the load resistance, the maximum load power may be determined. Dividing this power by the total supplied DC power will yield the efficiency. The maximum theoretical efficiency of an RC coupled class A amplifier is 25% although real-world circuits may be far less. In fact, the power dissipation of the transistor itself (P_{DQ}) may be greater than the maximum load power, clearly not a desirable condition. Note that the total supplied power is the product of the total supplied voltage and the average total current. In a class A amplifier that is not clipping, the average supplied current is equal to the quiescent DC current. In the case of a dual supply emitter biased circuit, this is simply the collector current and can be measured with a DC ammeter.

Equipment

- | | | |
|---|---------------|------------|
| (1) Dual adjustable DC power supply | model: _____ | srn: _____ |
| (1) DMM | model: _____ | srn: _____ |
| (1) Dual channel oscilloscope | model: _____ | srn: _____ |
| (1) Low distortion function generator | model: _____ | srn: _____ |
| (1) Distortion analyzer | model: _____ | srn: _____ |
| (2) Small signal transistors (2N3904) | | |
| (1) 100 Ω resistor $\frac{1}{4}$ watt | actual: _____ | |
| (1) 1 k Ω resistor $\frac{1}{4}$ watt | actual: _____ | |
| (1) 47 k Ω resistor $\frac{1}{4}$ watt | actual: _____ | |
| (1) 470 μ F capacitor | actual: _____ | |

Schematic

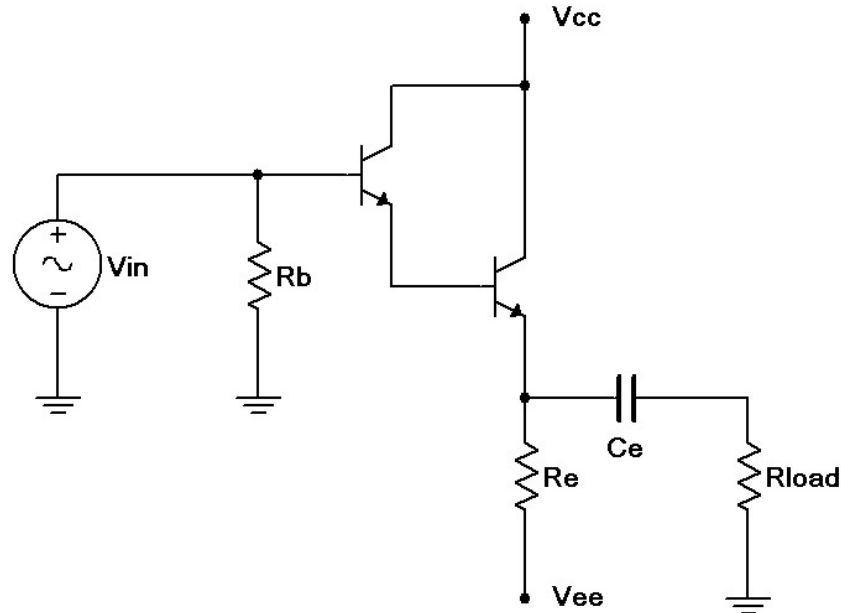


Figure 1

Procedure

AC Load Line and Power Analysis

1. Consider the circuit of Figure 1 using $V_{CC} = 5$ volts, $V_{EE} = -12$ volts, $R_b = 47$ k Ω , $R_e = 1$ k Ω , $R_{load} = 100$ Ω and $C_e = 470$ μ F. Determine the theoretical I_{CQ} , V_{CEQ} , $V_{CE(cutoff)}$ and $i_{C(sat)}$, and record these in Table 1. It is helpful to plot the AC load line for step three. Note that the collector-emitter saturation voltage for a Darlington pair cannot be assumed to be 0 volts, and may be closer to one volt, thus reducing the expecting voltage swing toward the saturation point. It is also worth noting that this amplifier has a *direct coupled* input (i.e., no input capacitor is required due to the very small DC base voltage).
2. Build the circuit of Figure 1 using $V_{CC} = 5$ volts, $V_{EE} = -12$ volts, $R_b = 47$ k Ω , $R_e = 1$ k Ω , $R_{load} = 100$ Ω and $C_e = 470$ μ F. Disconnect the signal source and measure the DC transistor voltages to ensure the circuit is biased correctly. Record V_{CEQ} and I_{CQ} in Table 1 (Experimental).
3. Based on the data recorded in Table 1, determine the theoretical maximum unclipped load voltage (compliance) and record it in Table 2. Based on this, determine the maximum load power and record it Table 2 as well. Also determine and record the expected values for the quiescent power dissipation of the transistor (P_{DQ}), the supplied DC current and power, and the resulting efficiency.

4. Using a 1 kHz sine wave setting, apply the signal source to the amplifier and adjust it to achieve a load voltage that just begins to clip. Reduce the amplitude *slightly* to produce a clean, unclipped wave. Record this level as the experimental compliance in Table 2. From this, determine and record the experimental maximum load power. Also, capture an image of the oscilloscope display.
5. Insert an ammeter in the collector and measure the resulting current with the signal still set for maximum unclipped output. Record this in Table 2 as I_{supplied} (Experimental).
6. Using the data already recorded, determine and record the experimental P_{DQ} , P_{Supplied} , and η . Finally, determine the deviations for Table 2.

Clipping and Distortion

7. Increase the signal until both peaks begin to clip. Record these clipping levels in Table 3. Make sure the oscilloscope is **DC coupled** for this measurement as any offset is important. Compare these peaks to those predicted by the AC load line. Also, capture an image of the oscilloscope display.
8. Decrease the signal level so that it is about 90% of the maximum unclipped level. Set the distortion analyzer to 1 kHz and % total harmonic distortion (% THD). Apply it across the load and record the resulting reading in Table 4 (Normal). Increase the signal by about 20% so that one of the peaks is obviously clipped and take a second distortion reading, recording it Table 4 (Clipped).

Computer Simulation

9. Build the circuit in a simulator and run a Transient Analysis. Use a 1 kHz 7 volt peak sine for the source. Inspect the voltage at the load. Record the peak clip points in Table 5. Reduce the input signal so that clipping disappears. Run the Distortion or Fourier Analysis at the load and record the resulting THD value in Table 5.

Data Tables

	Theory	Experimental
I_{CQ}		
V_{CEQ}		
$i_{\text{C(sat)}}$		X
$V_{\text{CE(cutoff)}}$		X

Table 1

	Theory	Experimental	% Deviation
Compliance			
$P_{Load(max)}$			
$I_{Supplied}$			
P_{DQ}			
$P_{Supplied}$			
η			

Table 2

Positive Clip	
Negative Clip	

Table 3

%THD Normal	
%THD Clipped	

Table 4

Positive Clip	Negative Clip	% Distortion

Table 5

Questions

1. Does the maximum load power compare favorably to the supplied DC power and the transistor's power dissipation? That is, is the circuit efficient?

24 Class B Power Analysis

Objective

The objective of this exercise is to examine large signal class B operation. A voltage follower will be investigated to determine output compliance, maximum load power, supplied DC power and efficiency. The effects of crossover distortion will be noted by comparing resistor and diode biasing schemes.

Theory Overview

The maximum output signal, or compliance, of a class B amplifier is determined by its AC load line. The peak to peak compliance is roughly equal to the total DC supply voltage(s). As two output devices are used, each conducting for half of the cycle, the quiescent current can remain low, unlike a class A amplifier. This results in vastly improved efficiency, theoretically up to 78.5%. The switchover from one transistor to the other is problematic and can result in crossover or notch distortion. To alleviate this, the transistors are given a small idle current so that each base-emitter junction is just about fully on. While resistors can be used to create this bias, trying to match the linear current-voltage characteristic of a resistor to the logarithmic characteristic of a PN junction is tricky. Consequently, another PN junction, namely a diode, is used instead. The diode will result in a more stable circuit which produces less notch distortion.

Equipment

- (1) Dual adjustable DC power supply model: _____ srn: _____
- (1) DMM model: _____ srn: _____
- (1) Dual channel oscilloscope model: _____ srn: _____
- (1) Low distortion function generator model: _____ srn: _____
- (1) Distortion analyzer model: _____ srn: _____
- (1) Small signal NPN transistor (2N3904)
- (1) Small signal PNP transistor (2N3906)
- (2) Switching diodes (1N914 or 1N4148)
- (1) 100 Ω resistor $\frac{1}{4}$ watt actual: _____
- (2) 220 Ω resistors $\frac{1}{4}$ watt actual: _____
- (2) 2.2 k Ω resistors $\frac{1}{4}$ watt actual: _____
- (2) 10 μ F capacitor actual: _____
- (1) 100 μ F capacitor actual: _____

Schematics

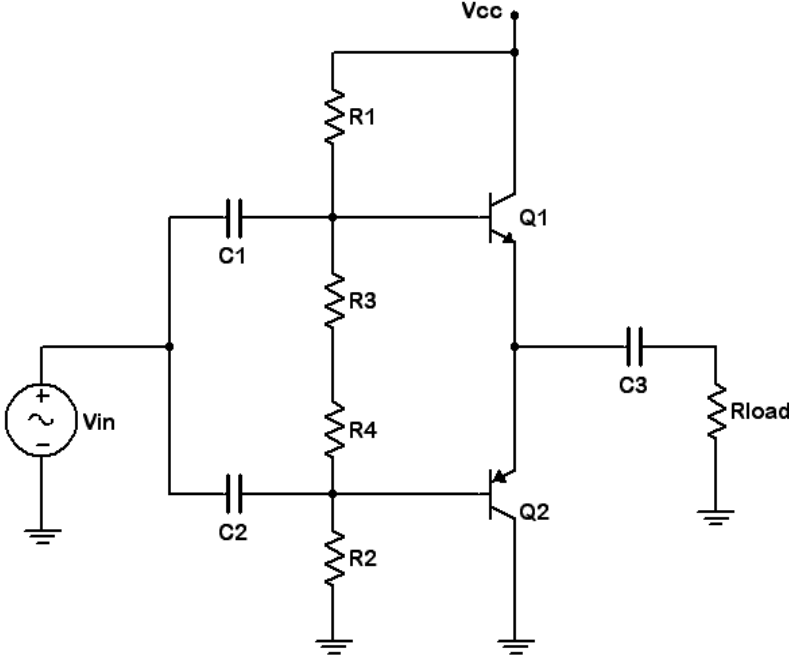


Figure 1

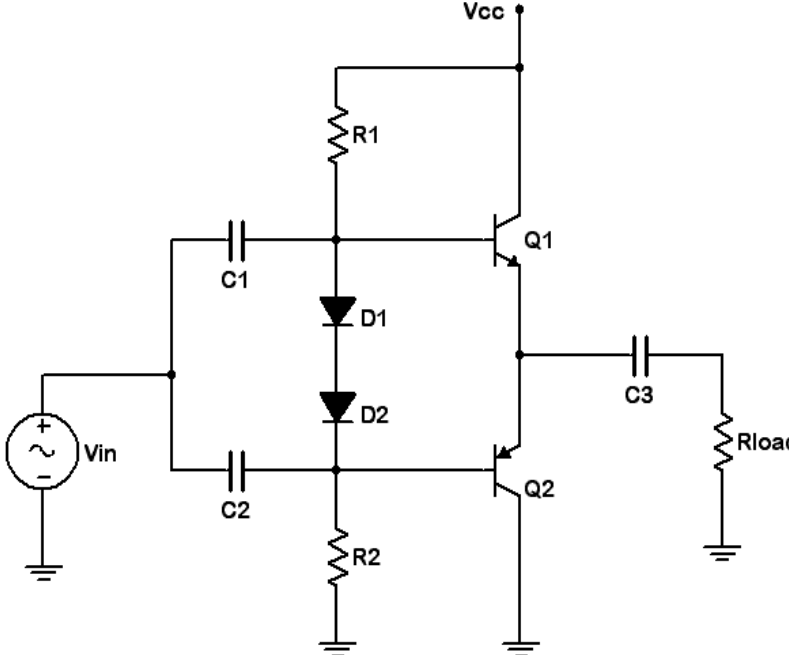


Figure 2

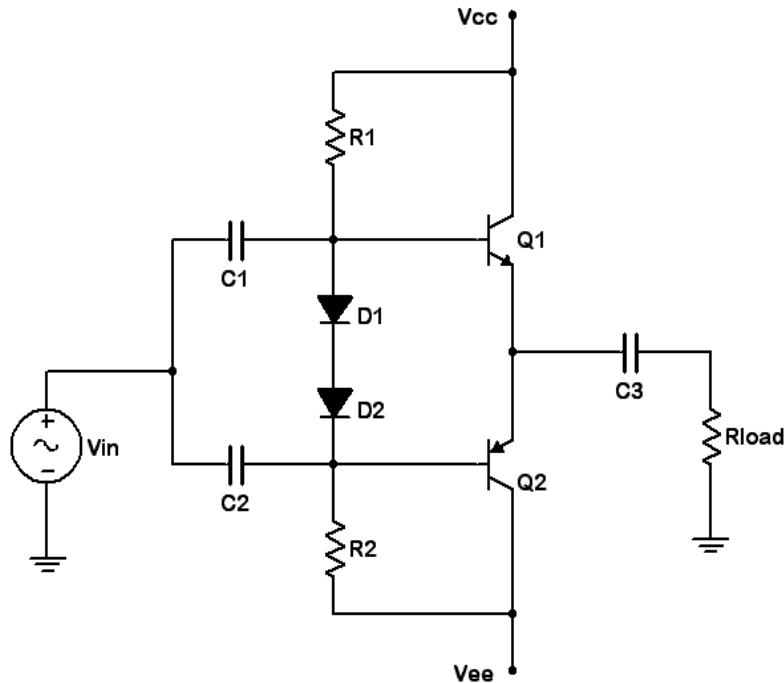


Figure 3

Procedure

Resistor versus Diode Bias and Crossover Distortion

1. Consider the circuit of Figure 1 using $V_{cc} = 6$ volts, $R_1 = R_2 = 2.2$ k Ω , $R_3 = R_4 = 220$ Ω , $R_{load} = 100$ Ω , $C_1 = C_2 = 10$ μ F and $C_3 = 100$ μ F. Ideally this circuit will produce a compliance of just under 6 volts peak-peak.
2. Build the circuit of Figure 1 using $V_{cc} = 6$ volts, $R_1 = R_2 = 2.2$ k Ω , $R_3 = R_4 = 220$ Ω , $R_{load} = 100$ Ω , $C_1 = C_2 = 10$ μ F and $C_3 = 100$ μ F. Disconnect the signal source and insert an ammeter into the collector of Q1. Record I_{CQ} in Table 1.
3. Connect the signal source and apply a 1 kHz sine at 2 volts peak. Look at the load voltage and capture the oscilloscope image. There should be considerable notch or crossover distortion.
4. Cycle through the remaining supply voltages in Table 1, repeating steps 2 and 3. Only images of the first and last trials need be captured. As the bias current increases, the notch distortion should decrease.

5. Replace R3 and R4 with switching diodes, as shown in Figure 2. Repeat steps 2 through 4 using this circuit and Table 2. Overall, the superior matching of the diodes to the transistors should result in decreased notch distortion.

Dual Supply and Power Analysis

6. Add the negative power supply so that the circuit now appears as Figure 3. Set the power supplies to ± 6 volts DC. This should produce similar bias and amplification results to the single 12 volt supply circuit of Figure 2. Although the output coupling capacitor is no longer needed (one advantage of the dual supply topology), leave it in for safety sake.
7. Based on the I_{CQ} recorded for the 12 volt supply in Table 2, determine the theoretical P_{DQ} . Also determine the expected compliance, $P_{Load(max)}$, $I_{supplied}$, $P_{supplied}$ and efficiency. Record these values in the Theoretical column of Table 3.
8. Apply the signal source to the amplifier and adjust it to achieve a load voltage that just begins to clip. Reduce the amplitude *slightly* to produce a clean, unclipped wave. Record this level as the experimental compliance in Table 3. From this, determine and record the experimental maximum load power. Also, capture an image of the oscilloscope display.
9. Insert an ammeter in the collector and measure the resulting current with the signal still set for maximum unclipped output. Record this in Table 3 as $I_{supplied}$ (Experimental). Remove the ammeter.
10. Using the data already recorded, determine and record the experimental P_{DQ} , $P_{supplied}$, and η . Finally, determine the deviations for Table 3.

Distortion

11. Unlike class A distortion which gets worse as the signal increases, notch distortion is relatively fixed. Therefore, it represents a smaller percentage of the overall output signal as the signal increases. To see this effect, adjust the signal level to achieve a load voltage of 8 volts peak-peak. There should be no clipping. Set the distortion analyzer to 1 kHz and % total harmonic distortion (% THD). Apply it across the load and record the resulting reading in Table 4 (8 Vpp). Decrease the generator to achieve a load voltage of 1 volt peak-peak and record the resulting THD.

Computer Simulation

12. Build the circuit in a simulator and run a Transient Analysis. Use a 1 kHz 7 volt peak sine for the source. Inspect the voltage at the load. Record the peak clip points in Table 5. Reduce the input signal so that clipping disappears. Run the Distortion or Fourier Analysis at the load and record the resulting THD value in Table 5.

Data Tables

Supply	I_{CQ} - Resistors
6 V	
8 V	
10 V	
12 V	

Table 1

Supply	I_{CQ} - Diodes
6 V	
8 V	
10 V	
12 V	

Table 2

	Theory	Experimental	% Deviation
Compliance			
$P_{Load(max)}$			
$I_{Supplied}$			
P_{DQ}			
$P_{Supplied}$			
η			

Table 3

%THD 8 Vpp	
%THD 1 Vpp	

Table 4

Positive Clip	Negative Clip	% Distortion

Table 5

Questions

1. Does the maximum load power compare favorably to the supplied DC power and the transistor's power dissipation? That is, is the circuit efficient? How does it compare to class A operation (Exercise 12)?
2. How is the notch distortion affected by the power supply?
3. Compare the resistor bias and diode bias circuits regarding idle current (I_{CQ}) and notch distortion. Compute the I_{CQ} versus V_{CC} stability (I_{CQ-MAX} / I_{CQ-MIN}) of each circuit using the first and last entries of Tables 1 and 2.
4. How does the class B circuit distortion compare to class A operation (Exercise 12)?
5. Would increasing the V_{CC} supply increase the output compliance? Why/why not?

25 Power Amp with Driver

Objective

The objective of this exercise is to examine a typical audio amplifier consisting of a class A driver feeding a class B follower. System gain and clipping limits will be examined along with the audibility of clipping distortion and the shapes of voice waveforms.

Theory Overview

Typical audio amplifiers utilize one or more small signal class A stages to achieve sufficient voltage gain which then feeds a class B power stage connected to the load (normally a loudspeaker). The stage preceding the power section is referred to as the driver stage or simply the driver. The driver is often directly coupled instead of coupled via a capacitor. This maximizes gain and reduces component count.

A typical loudspeaker exhibits a nominal $8\ \Omega$ impedance. As such, it demands considerable current. The job of the class B follower is to create a good match to this low impedance and produce sufficient current and power gain to drive it effectively. The voltage gain comes from the prior stages. If any of the amplifier stages clip the waveform, the loudspeaker will reproduce the distorted wave. This distortion can be clearly audible and produce a signal that sounds fuzzy or harsh. Loudspeakers can also be used as microphones (although the quality will not be as high as that achieved with a properly designed microphone). In this experiment, a loudspeaker will be used as a microphone to inspect the waveshapes produced by the human voice; waveshapes that are potentially far more complex than simple sine waves.

Equipment

- (1) Dual adjustable DC power supply model: _____ srn: _____
- (1) DMM model: _____ srn: _____
- (1) Dual channel oscilloscope model: _____ srn: _____
- (1) Function generator model: _____ srn: _____
- (2) Small signal NPN transistors (2N3904)
- (1) Small signal PNP transistor (2N3906)
- (2) Switching diodes (1N914 or 1N4148)
- (2) $100\ \Omega$ resistor $\frac{1}{4}$ watt actual: _____
- (1) $1\ \text{k}\ \Omega$ resistor $\frac{1}{4}$ watt actual: _____
- (1) $6.8\ \text{k}\ \Omega$ resistor $\frac{1}{4}$ watt actual: _____
- (1) $1\ \text{k}\ \Omega$ potentiometer or decade box
- (1) $1\ \mu\text{F}$ capacitor actual: _____
- (1) $100\ \mu\text{F}$ capacitor actual: _____

(1) 8 or 16 Ω general purpose loudspeaker

Schematic

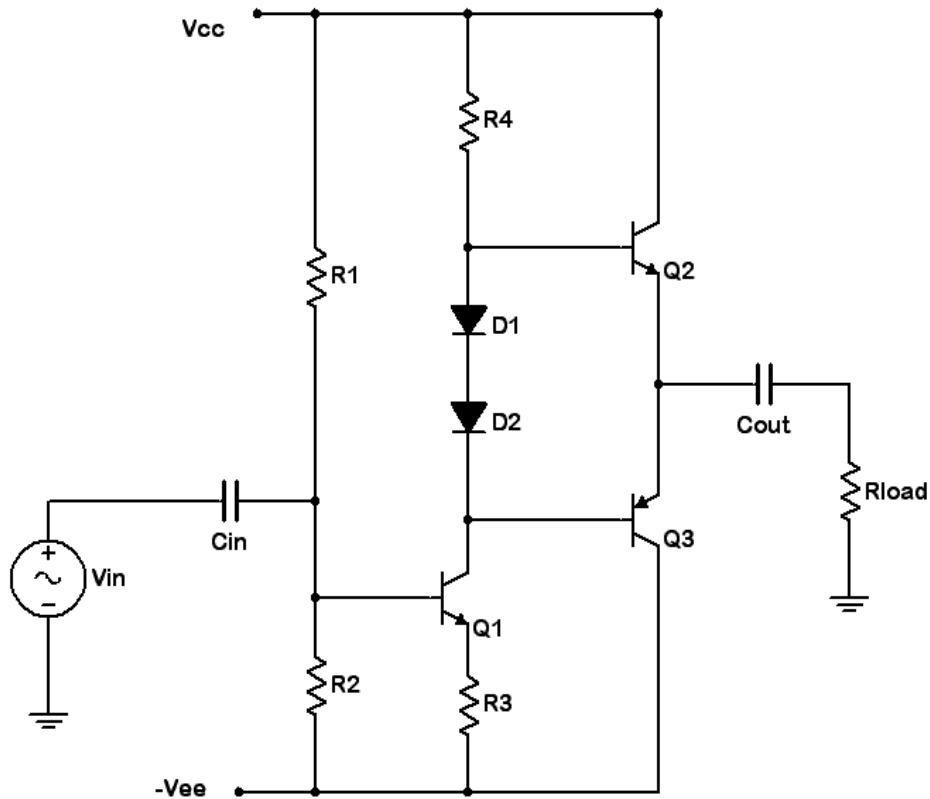


Figure 1

Procedure

Bias, Gain and Compliance

1. Consider the circuit of Figure 1 using $V_{cc} = 6$ volts, $V_{ee} = -6$ volts, $R_1 = 6.8$ k Ω , $R_4 = 1$ k Ω , $R_3 = 100$ Ω , $R_{load} = 100$ Ω , $C_{in} = 1$ μ F and $C_{out} = 100$ μ F. R_2 is an adjustable resistance (pot or decade box). For proper bias, the emitters of the output transistors should be at 0 volts DC. For this to be true there must be a voltage of $V_{cc} - V_{be}$, or approximately 5.3 volts, across R_4 . Ignoring base currents, this establishes the I_{CQ} of transistor 1 which in turn creates a potential drop across R_3 . From this the voltage across R_2 may be determined. Knowing the value of R_1 and the total supply presented, Ohm's law or the voltage divider rule may be used to compute the required setting for R_2 . Compute the required value for R_2 and record it in Table 1.

2. Compute the gain of the driver stage. For the load of Q1, the dynamic resistance of the diodes is small enough to ignore. Also, assume the current gain of the output transistors is approximately 100. Remember, only one output transistor is on at any given time. The gain of the class B stage may be assumed to be unity. Record the theoretical circuit gain in Table 1.
3. Ideally, the class B stage will produce a compliance of just under 6 volts peak. It may be less than this as the driver stage might clip sooner. Compute the AC load line for the driver stage and determine its compliance. Note that there will be a voltage divider effect between R_e and the load of Q1 which will reduce the compliance from that calculated via the load line. Record the theoretical compliance value in Table 1. It should be less than that of the output stage and thus represents the compliance of the entire circuit.
4. Build the circuit of Figure 1 using $V_{cc} = 6$ volts, $V_{ee} = -6$ volts, $R_1 = 6.8$ k Ω , $R_4 = 1$ k Ω , $R_3 = 100\Omega$, $R_{load} = 100$ Ω , $C_{in} = 1$ μ F and $C_{out} = 100$ μ F. Set the pot or decade box (R_2) to the value calculated in Table 1. Disconnect the signal source and inspect the DC voltage at the load. Adjust R_2 until this voltage goes to 0 volts. Record the resulting value of R_2 in Table 1.
5. Connect the signal source and apply a 1 kHz sine at 200 millivolts peak. Inspect the load and source voltages with the oscilloscope and capture an image of the pair. From these voltages determine the circuit gain and record it in Table 1.
6. Increase the signal level until the output begins to clip. Reduce the level until the signal is undistorted and record the resulting load voltage as the experimental compliance in Table 1.

Waveforms: Human Perception and Production

7. Turn down the signal source to about 100 mV peak. Insert the loudspeaker in **series** with the load resistor. Accidentally placing it in parallel will cause excessive current draw and likely destroy the output transistors (after making a particularly loud and irritating squawk). Gradually turn up the signal level while monitoring the load voltage with the oscilloscope. Listen to the sound change as the amplifier begins to clip. Describe this change in Table 2. Repeat this with the other frequencies indicated.
8. Remove the loudspeaker and function generator. Reposition the loudspeaker so that it acts as the signal source (i.e., in the original position of the generator). It will now act as a microphone. While examining the load voltage, speak into the loudspeaker and note the typically complex waveshapes. Try holding a few different vowel sounds at different pitches and capture a few of these images. Ordinarily it is difficult for humans to vocalize pure sine waves, however, complex waveforms can be broken down mathematically into a combination of sine waves of differing frequencies, amplitudes and phases. As this is a linear amplifier, superposition holds, and thus if the circuit response to individual sines at differing frequencies can be determined then the response to complex waves such as the human voice and musical instruments can also be determined.

Troubleshooting

9. Remove the loudspeaker and return the generator to the circuit. Consider each of the individual faults listed in Table 3 and estimate the resulting DC and AC load voltages. If the DC voltage moves a great deal off of zero, chances are the AC load voltage will be badly distorted and there is no need to attempt to estimate a precise value. Introduce each of the individual faults in turn and measure and record the load voltages in Table 3.

Data Tables

	Theory	Experimental
R2		
A_v		
Compliance		

Table 1

Frequency	Observations
1 kHz	
500 Hz	
200 Hz	

Table 2

Issue	$V_{\text{Load DC}}$	$V_{\text{Load AC}}$
R_2 Short		
C_{in} Open		
R_1 Open		
R_3 Open		
D_1 Short		
D_2 Open		
C_{out} Open		
V_{CE} Open		

Table 3

Questions

1. Is the maximum output compliance determined solely by the class B output stage?
2. What kinds of distortion are present in this circuit?
3. Calculate the maximum load power and load current of the amplifier if the loudspeaker had accidentally been placed in parallel with the load resistor rather than in series.
4. How do the values calculated in Question 3 compare to the data sheet maximums for the 2N3904/6?

26 JFET Bias

Objective

The objective of this exercise is to examine three methods to bias JFETs and determine which produce a stable Q point. A method of determining I_{DSS} and $V_{GS(OFF)}$ in the lab is also presented.

Theory Overview

Unlike bipolar junction transistors, FETs do not have a fixed forward biased junction potential. This makes bias analysis a little trickier. It is often useful to have a couple of device parameters on hand, namely I_{DSS} and $V_{GS(OFF)}$. As is the case with BJTs, finding the main current (I_D) is the key to finding all other circuit currents and voltages. One convenient aspect of JFETs is that the gate current can be ignored for most bias applications. Self Bias may be analyzed through the use of a Self Bias curve or through an iterative process of estimation of V_{GS} leading to drain currents via Ohm's law and the general FET transconductance equation. Self Bias tends to have modestly stable Q points. Source Bias is an improvement over Self Bias. It tends to swamp out V_{GS} variation via the addition of a negative source bias voltage. This topology also turns out potentially to have a very stable transconductance although it is not examined in this exercise. Finally, Current Source Bias utilizes a BJT to establish a very stable drain current. This turns out this comes at the expense of a stable V_{GS} and transconductance (again, not examined here), so this form of bias is not necessarily the best choice for all applications.

Equipment

- (1) Dual adjustable DC power supply model: _____ srn: _____
- (1) DMM model: _____ srn: _____
- (3) Small signal JFETs (MPF102)
- (1) Small signal BJT (2N3904)
- (1) 2.2 k Ω resistor $\frac{1}{4}$ watt actual: _____
- (2) 4.7 k Ω resistors $\frac{1}{4}$ watt actual: _____
- (1) 330 k Ω resistor $\frac{1}{4}$ watt actual: _____

MPF102 Datasheet: http://www.onsemi.com/pub_link/Collateral/MPF102-D.PDF

Schematics

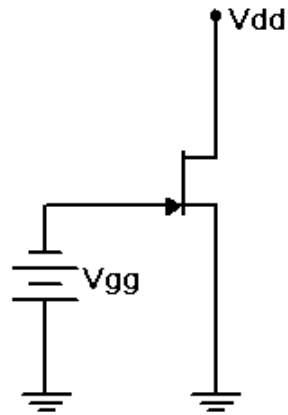


Figure 1

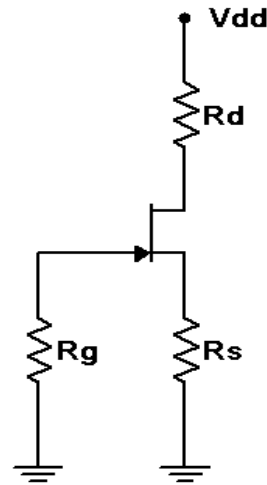


Figure 2

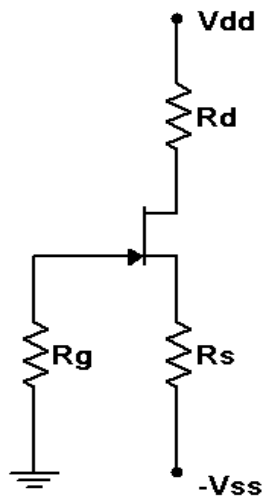


Figure 3

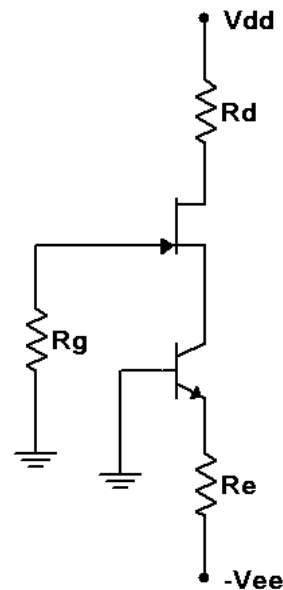


Figure 4

Procedure

Determining I_{DSS} and $V_{GS(OFF)}$

1. Consider the circuit of Figure 1 using $V_{dd} = 15$ volts and $V_{gg} = 0$ volts. With nothing else in the circuit, the resulting drain current should equal I_{DSS} . Similarly, if V_{gg} is gradually changed to a value negative enough to drop the drain current to zero, V_{gg} must be equal to $V_{GS(OFF)}$.

2. Build the circuit of Figure 1 using $V_{dd} = 15$ volts and $V_{gg} = 0$ volts. Insert an ammeter in the drain and record the resulting current in Table 1. Slowly increase the magnitude of V_{gg} (i.e., make it more negative) until the drain current drops to zero (as a practical point, try to get it under $10 \mu\text{A}$, or as low as the ammeter will allow). Record this voltage in Table 1. Repeat this process for the other two transistors. Be sure not to confuse the JFETs. Keep them in order.

Self Bias

3. Consider the circuit of Figure 2 using $V_{dd} = 15$ volts, $R_g = 330 \text{ k}\Omega$, $R_d = 4.7 \text{ k}\Omega$, and $R_s = 2.2 \text{ k}\Omega$. Using the values of Table 1, calculate and record the expected voltages for JFET 1 in Table 2. Also record the expected drain current in Table 3.
4. Build the circuit of Figure 2 using $V_{dd} = 15$ volts, $R_g = 330 \text{ k}\Omega$, $R_d = 4.7 \text{ k}\Omega$, and $R_s = 2.2 \text{ k}\Omega$. Measure and record the voltages for JFET 1 in Table 2. Based on V_D , compute and record the experimental drain current in Table 3. Also determine and record the drain current deviation.
5. Repeat steps 2 and 3 for the second and third JFETs.

Source Bias

6. Consider the circuit of Figure 3 using $V_{dd} = 15$ volts, $V_{ss} = -3$ volts, $R_d = R_s = 4.7 \text{ k}\Omega$ and $R_g = 330 \text{ k}\Omega$. A reasonable approximation for V_{GS} in this circuit is -2 volts DC. Based on this, calculate and record the expected voltages for JFET 1 in Table 4. Also record the expected drain current in Table 5.
7. Build the circuit of Figure 3 using $V_{dd} = 15$ volts, $V_{ss} = -3$ volts, $R_d = R_s = 4.7 \text{ k}\Omega$ and $R_g = 330 \text{ k}\Omega$. Measure and record the voltages for JFET 1 in Table 4. Based on V_D , compute and record the experimental drain current in Table 4. Also find and record the drain current deviation.
8. Repeat steps 5 and 6 for the second and third JFETs.

Current Source Bias

9. Consider the circuit of Figure 4 using $V_{dd} = 15$ volts, $V_{ee} = -5$ volts, $R_d = R_e = 4.7 \text{ k}\Omega$ and $R_g = 330 \text{ k}\Omega$. Calculate and record the expected voltages for JFET 1 in Table 6. Also record the expected drain current in Table 7.
10. Build the circuit of Figure 4 using $V_{dd} = 15$ volts, $V_{ee} = -5$ volts, $R_d = R_e = 4.7 \text{ k}\Omega$ and $R_g = 330 \text{ k}\Omega$. Measure and record the voltages for JFET 1 in Table 6. Based on V_D , compute and record the experimental drain current in Table 7. Also find and record the drain current deviation.
11. Repeat steps 8 and 9 for the second and third JFETs.

Data Tables

JFET	I_{DSS}	$V_{GS(OFF)}$
1		
2		
3		

Table 1

JFET	$V_{G\ Thry}$	$V_{S\ Thry}$	$V_{D\ Thry}$	$V_{G\ Exp}$	$V_{S\ Exp}$	$V_{D\ Exp}$
1						
2						
3						

Table 2

JFET	$I_{D\ Theory}$	$I_{D\ Experimental}$	%Dev I_D
1			
2			
3			

Table 3

JFET	$V_{G\ Thry}$	$V_{S\ Thry}$	$V_{D\ Thry}$	$V_{G\ Exp}$	$V_{S\ Exp}$	$V_{D\ Exp}$
1						
2						
3						

Table 4

JFET	$I_{D \text{ Theory}}$	$I_{D \text{ Experimental}}$	%Dev I_D
1			
2			
3			

Table 5

JFET	$V_{G \text{ Thry}}$	$V_{S \text{ Thry}}$	$V_{D \text{ Thry}}$	$V_{G \text{ Exp}}$	$V_{S \text{ Exp}}$	$V_{D \text{ Exp}}$
1						
2						
3						

Table 6

JFET	$I_{D \text{ Theory}}$	$I_{D \text{ Experimental}}$	%Dev I_D
1			
2			
3			

Table 7

Questions

1. Of the three biasing forms presented, which produces the most stable and predictable drain current?
2. Does the precise value of beta for the BJT in the final circuit matter that much? Why/why not?
3. In general, identify two ways of decreasing the drain voltage in the circuit of Figure 3.
4. In general, identify two ways of increasing the drain current in the circuit of Figure 4.

27 JFET Amplifiers

Objective

The objective of this exercise is to examine common source and common drain (voltage follower) JFET amplifiers. Both voltage gain and input impedance will be investigated.

Theory Overview

In many regards, JFET amplifiers share similar attributes with their bipolar counterparts. Superficially, they look very similar as well. The main functional differences are that JFET based amplifiers tend to have higher input impedances but tend to offer lower voltage gains. Further, without swamping, JFET amplifiers tend to produce lower levels of distortion. As with r'_e impacting bipolar circuit performance, JFET performance is impacted by the transconductance, g_m (AKA g_{fs}). Like the bipolar common emitter amplifier, the common source amplifier exhibits a voltage gain greater than one with inversion. The source follower, like the bipolar emitter follower, shows a voltage gain just under one with no inversion.

Equipment

- | | | |
|---|---------------|------------|
| (1) Dual adjustable DC power supply | model: _____ | srn: _____ |
| (1) DMM | model: _____ | srn: _____ |
| (1) Dual channel oscilloscope | model: _____ | srn: _____ |
| (1) Function generator | model: _____ | srn: _____ |
| (3) Small signal JFETs (MPF102, substitute J112 if not available) | | |
| (2) 4.7 k Ω resistors ¼ watt | actual: _____ | |
| (1) 22 k Ω resistor ¼ watt | actual: _____ | |
| (1) 33 k Ω resistor ¼ watt | actual: _____ | |
| (1) 330 k Ω resistor ¼ watt | actual: _____ | |
| (2) 10 μ F capacitors | actual: _____ | |
| (1) 470 μ F capacitor | actual: _____ | |

Schematics

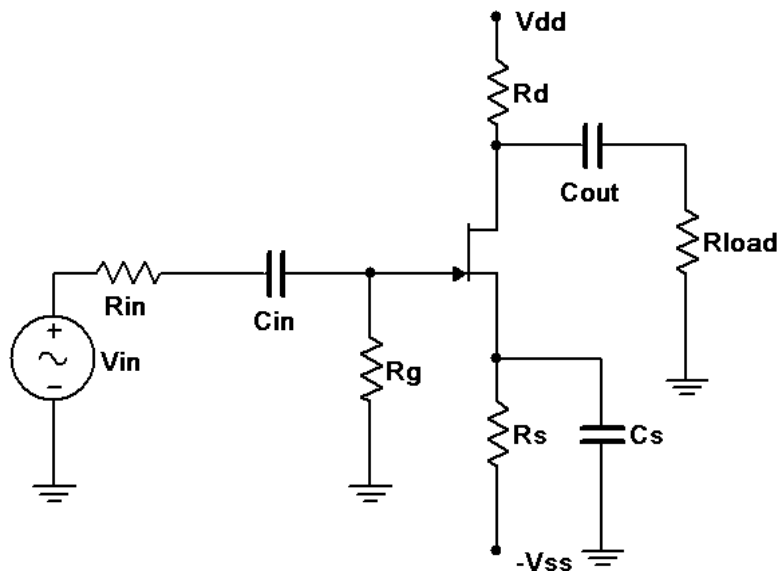


Figure 1

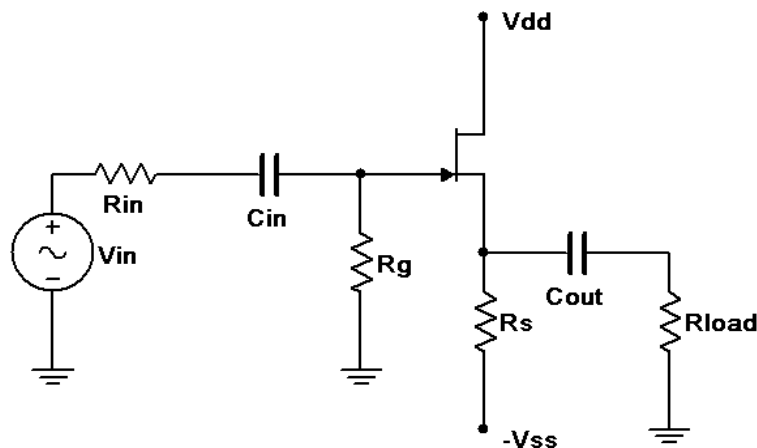


Figure 2

Procedure

Common Source Voltage Amplifier

1. Consider the circuit of Figure 1 using $V_{dd} = 15$ volts, $V_{ss} = -3$ volts, $R_{in} = 33$ k Ω , $R_g = 330$ k Ω , $R_s = 4.7$ k Ω , $R_d = 4.7$ k Ω , $R_{load} = 22$ k Ω , $C_{in} = C_{out} = 10$ μ F and $C_s = 470$ μ F. Assuming $V_{GS} = -2$ volts and $g_m = 2$ mS (4 mS if using the J112), determine the theoretical gain and input impedance of the circuit and record these in Table 1.

2. Build the circuit of Figure 1 using $V_{dd} = 15$ volts, $V_{ss} = -3$ volts, $R_{in} = 33$ k Ω , $R_g = 330$ k Ω , $R_s = 4.7$ k Ω , $R_d = 4.7$ k Ω , $R_{load} = 22$ k Ω , $C_{in} = C_{out} = 10$ μ F and $C_s = 470$ μ F. Set V_{in} to a 100 mV peak sine at 1 kHz. Measure the voltages at the gate and load, and record these in Table 1. Capture images of the input and gate voltages, and the gate and load voltages. Note whether or not the load is inverted compared to the gate signal.
3. Based on the measured gate and drain voltages, determine the resulting theoretical A_v and Z_{in} , and record these in Table 1. Note that Z_{in} may be computed using the voltage divider rule or Ohm's law given the gate and input voltages along with the input resistor value. Also determine and record the percent deviations.
4. Repeat steps 1 through 3 for the remaining two JFETs.

Common Drain Voltage Follower

5. Consider the circuit of Figure 2 using $V_{dd} = 15$ volts, $V_{ss} = -3$ volts, $R_{in} = 33$ k Ω , $R_g = 330$ k Ω , $R_s = 4.7$ k Ω , $R_{load} = 22$ k Ω , $C_{in} = 10$ μ F and $C_{out} = 470$ μ F. Assuming $V_{GS} = -2$ volts and $g_m = 2$ mS (4 mS if using the J112), determine the theoretical gain and input impedance of the circuit and record in Table 2.
6. Build the circuit of Figure 2 using $V_{dd} = 15$ volts, $V_{ss} = -3$ volts, $R_{in} = 33$ k Ω , $R_g = 330$ k Ω , $R_s = 4.7$ k Ω , $R_{load} = 22$ k Ω , $C_{in} = 10$ μ F and $C_{out} = 470$ μ F. Set V_{in} to a 100 mV peak sine at 1 kHz. Measure the voltages at the gate and load, and record these in Table 2. Capture images of the input and gate voltages, and the gate and load voltages. Note whether or not the load is inverted compared to the gate signal.
7. Based on the measured gate and drain voltages, determine the resulting theoretical A_v and Z_{in} , and record these in Table 2. Also determine and record the percent deviations.
8. Repeat steps 5 through 7 for the remaining two JFETs.

Troubleshooting

9. Consider each of the individual faults listed in Table 3 and estimate the resulting AC load voltage for circuit 1. Introduce each of the individual faults in turn and measure and record the load voltage in Table 3.

Data Tables

JFET	A_v Thry	Z_{in} Thry	V_g Exp	V_d Exp	A_v Exp	Z_{in} Exp	%Dev A_v	%Dev Z_{in}
1								
2								
3								

Table 1

JFET	A_v Thry	Z_{in} Thry	V_g Exp	V_s Exp	A_v Exp	Z_{in} Exp	%Dev A_v	%Dev Z_{in}
1								
2								
3								

Table 2

Issue	V_{Load}
R_g Short	
C_{in} Open	
R_d Short	
R_d Open	
R_s Open	
C_{out} Open	
C_s Open	
V_{DS} Open	

Table 3

Questions

1. Does the common source amplifier produce a considerable amplification effect and if so, are the results consistent across transistors?
2. Does the common source amplifier produce a phase shift at the load? How does this compare with the common drain follower?
3. How do the voltage gains of these circuits compare to their bipolar versions?
4. How do the input impedances of these circuits compare to their bipolar versions?

28 JFET Ohmic Region

Objective

The objective of this exercise is to examine the usage of JFETs in the ohmic region. That is, the device being used as controlled resistance rather than as a current source.

Theory Overview

For small AC drain-source voltages (<100 mV) the JFET appears as a resistance from drain to source. This resistance is controlled by the DC gate to source voltage. This is referred to as the control voltage or V_C . The more negative the potential, the larger the resistance. The minimum resistance will be achieved when $V_{GS}=0$. If V_{GS} is continuously variable then the JFET behaves as a rheostat, also called a voltage controlled resistor. The addition of a separate resistor in the drain will create a voltage controlled potentiometer. Unlike a true potentiometer, the output signal will not drop to zero due to the minimum on resistance of the JFET ($R_{ds(on)}$). Multiple units can be cascaded for increased attenuation. If the control voltage is set to achieve only the maximum and minimum values, the circuit behaves as a switch that allows or disallows the signal through. This is known as an analog switch.

Equipment

- | | | |
|---|---------------|------------|
| (1) Dual adjustable DC power supply | model: _____ | srn: _____ |
| (1) DMM | model: _____ | srn: _____ |
| (1) Dual channel oscilloscope | model: _____ | srn: _____ |
| (1) Function generator | model: _____ | srn: _____ |
| (2) Small signal JFETs (MPF102, J112) | | |
| (2) 4.7 k Ω resistors $\frac{1}{4}$ watt | actual: _____ | |
| (1) 10 k Ω resistor $\frac{1}{4}$ watt | actual: _____ | |

J112 Datasheet: <https://www.onsemi.com/pub/Collateral/J111-D.PDF>

MPF102 Datasheet: http://www.onsemi.com/pub_link/Collateral/MPF102-D.PDF

Schematics

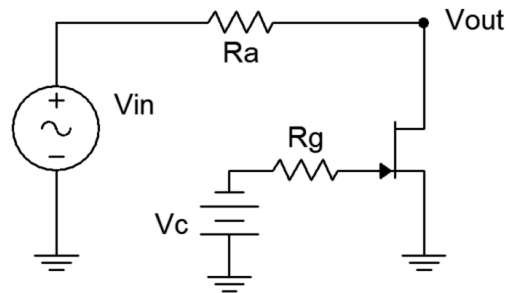


Figure 1

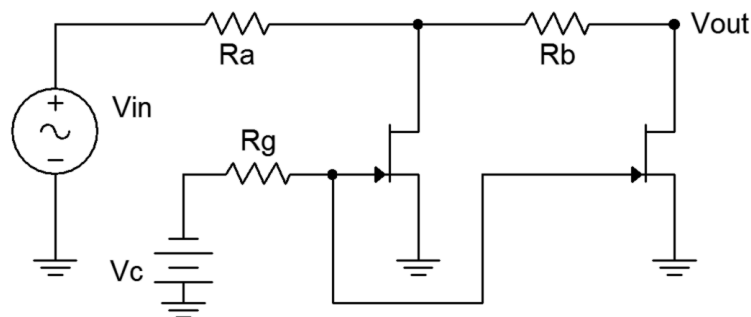


Figure 2

Procedure

Voltage Controlled Divider

1. Consider the circuit of Figure 1 where V_{in} is a 100 mV peak sine at 1 kHz, $R_a = 4.7 \text{ k}\Omega$ and $R_g = 10 \text{ k}\Omega$. As V_c varies between 0 and $V_{GS(off)}$, the resistance of the JFET varies between a near open and a minimum value of $R_{ds(on)}$. V_{out} is derived from a voltage divider between R_a and the JFET's resistance.
2. Build the circuit of Figure 1 with $R_a = 4.7 \text{ k}\Omega$ and $R_g = 10 \text{ k}\Omega$. Set V_{in} to 100 mV peak at 1 kHz. Set the control voltage, V_c , to 0 VDC. Measure the signal at V_{out} using the oscilloscope and record the value in Table 1. Also, using the voltage divider rule, determine the effective resistance of the JFET.
3. Repeat step 2 for the remaining control voltages listed in Table 1.
4. Using the data from Table 1, create a plot of effective resistance versus control voltage.

Analog Switch

5. Build the circuit of Figure 2 with $R_a = R_b = 4.7 \text{ k}\Omega$ and $R_g = 10 \text{ k}\Omega$. Set V_{in} to 100 mV peak at 1 kHz. Set the control voltage, V_C , to 0 VDC. Measure the signal at V_{out} using the oscilloscope and record the value in Table 2.
6. Set the control voltage to -8 VDC , measure and record the output signal in Table 2. Based on these readings, determine the attenuations (V_{out}/V_{in}) and record the results in Table 2.

Computer Simulation

7. Repeat steps 2 and 3 using a simulator, recording the results in Table 3.

Data Tables

V_C (DC volts)	V_{out}	Effective R_D
0		
-0.5		
-1		
-2		
-3		
-5		

Table 1

V_C (DC volts)	V_{out}	Attenuation
0		
-8		

Table 2

V_c (DC volts)	V_{out} Simulator
0	
0.5	
1	
2	
3	
5	

Table 3

Questions

1. In Figure 1, is the JFET resistance a linear function of control voltage?
2. Detail at least one advantage and one disadvantage of the circuit of Figure 1 compared to an ordinary potentiometer.
3. Discuss one advantage of using the circuit of Figure 2 instead of a simple mechanical switch.

Appendix A: Creating Graphs Using a Spreadsheet

While nothing beats good data plotting and analysis software (check out [SciDAVis](#) for an excellent free program), you can also create a variety of graphs using spreadsheets such as the one in [Open Office](#) or Excel (Microsoft Office). What follows works for Excel 2007 and Open Office 4. Other versions may have different menus and options. Here's how to take your tabular data from lab and create a graph. These instructions assume you will set the independent axis on the horizontal and the dependent axis as the vertical. This is the typical case but there are exceptions (see note at end). Remember, the independent axis presents the input parameter you set (e.g., a power supply voltage or a mass) and the dependent axis presents the output parameter (i.e., the item you are interested in and have measured as an outcome such as a resulting current or change in position).

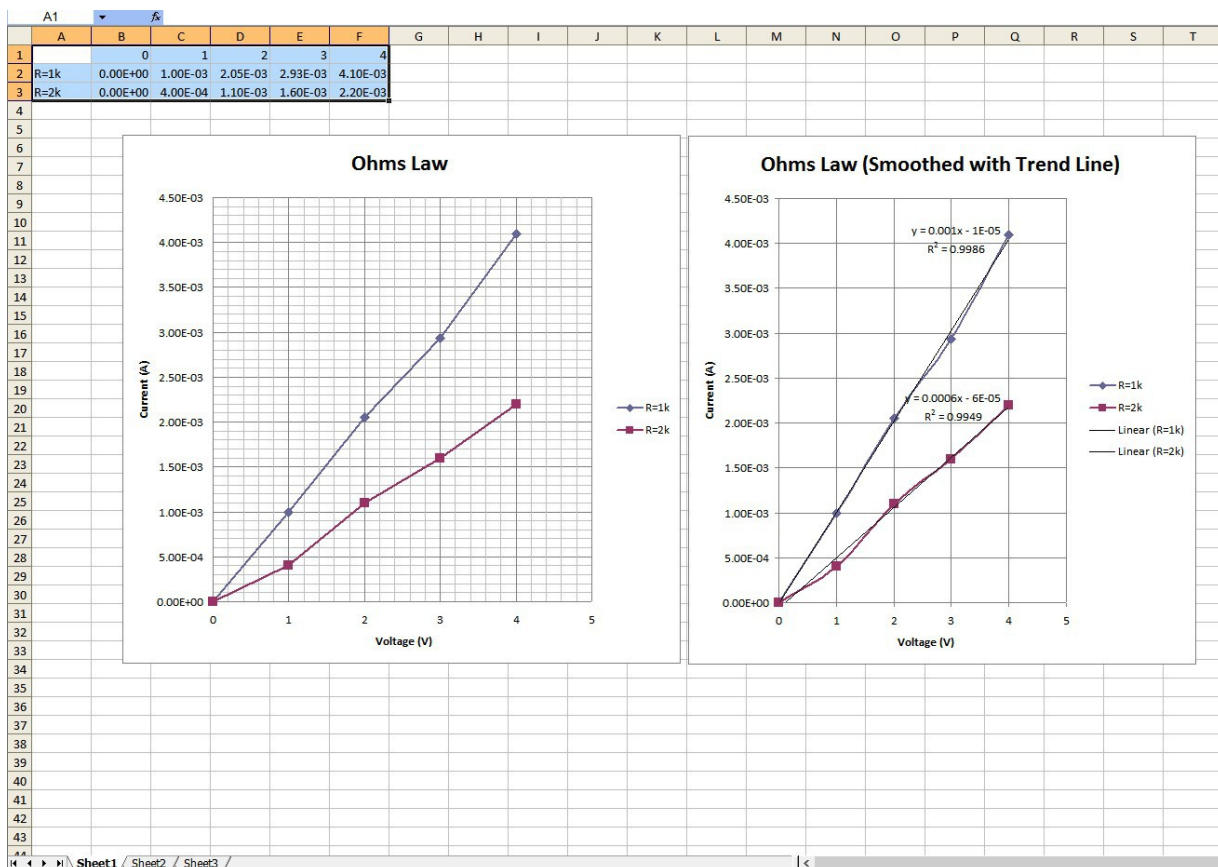
1. Open a new worksheet. In the first column (column A), enter the text for the legend. This is particularly important if you're plotting multiple datasets on a single graph. Starting in the second column (column B), enter values for the horizontal (independent) axis on the first row of the worksheet. In like fashion, enter values for the vertical (dependent) axis on the second row. For multiple trials, enter the values on subsequent rows. For example, if you are setting a series of voltages in a circuit and then measuring the resulting currents, the voltages would be in row one and the currents in row two. If you changed the circuit components, reset the voltages, remeasured the currents and wish to compare the two trials, then the new set of currents would be in row three and so on. Each of these rows would have their identifying legend in column A with the numeric data starting in column B. Specifically, the legend text for the first data set would be in cell $A\$2$ and the numeric values would be in cells $B\$2$ through $X\$2$ (where X is the final data column), for the second set the legend text would be in cell $A\$3$ and the numeric values would be in cells $B\$3$ through $X\$3$, etc.
2. Select/highlight all of the data (click the first cell, in the upper left corner, and drag the mouse over all of the cells used).
3. Select the Insert menu and choose Chart. Ordinarily you will use an **XY Scatter** chart. There are other options but this is the one you'll need in most cases. A simple Line chart is **not** appropriate in most cases. You might get a graph that “sort of” looks correct but the horizontal axis will simply represent the measurement sequence (first, second, third) rather than the value you set.
4. You can customize the appearance of the chart. In general, you can edit items by simply double-clicking on the item or by using a right-mouse click to bring up a property menu. This will allow you to add or alter grid lines, axes, etc. You can also stipulate variations such as using data smoothing, adding a trend line, etc. It is possible to change the axes to logarithmic or alter their range; and fonts, colors and a variety of secondary characteristics may be altered.

5. Once your chart is completed, you may wish to save the worksheet for future reference. To insert the chart into a lab report, select the chart by clicking on it, copy it to the clipboard (Ctrl+C), select the insertion point in the lab report, and paste (Ctrl+V).

6. In those odd instances where you need to reverse the dependent and independent axes such as a VI plot of a diode where currents are set and resulting voltages are measured, but you want the voltage on the horizontal, some spreadsheets have an axis swap function. If not, you'll need to swap the data ranges for the chart axes. For example, following the instructions above, your independent/horizontal axis is row one. The data are in cells \$B\$1 through \$X\$1. The dependent data are in cells \$B\$2 through \$X\$2. These ranges can be seen in the chart's Data Series or Data Range menu or dialog box. It will say something like: "X Values: =Sheet1!\$B\$1:\$F\$1" and "Y Values: =Sheet1!\$B\$2:\$F\$2". Simply swap the row numbers so that it says "X Values: =Sheet1!\$B\$2:\$F\$2" and "Y Values: =Sheet1!\$B\$1:\$F\$1".

7. Data smoothing can be useful to remove the "jaggyness" of some plots. For simple curves, a second degree B-Spline is suggested if you're using Open Office. For data that are expected to be linear, a trend line can be useful to better see the approximation.

Here is an example worksheet showing a plot of two resistors. The first plot is basic, the second uses smoothed data with a linear trend line:



Appendix B: Manufacturer's Datasheet Links

Diodes

1N4002 Datasheet: <https://www.onsemi.com/pub/Collateral/1N4001-D.PDF>

1N4148 Datasheet: <https://www.onsemi.com/pub/Collateral/1N914A-D.pdf>

1N751 Datasheet: <http://www.digitroncorp.com/Documents/Datasheets/1N746-1N759A,-1N4370-1N4372A.aspx?ext=.pdf>

1N914 Datasheet: <https://www.onsemi.com/pub/Collateral/1N914A-D.pdf>

NZX5V1B Datasheet: https://assets.nexperia.com/documents/data-sheet/NZX_SER.pdf

Standard Red LED Datasheet:

<https://www.sparkfun.com/datasheets/Components/LED/COM-09590-YSL-R531R3D-D2.pdf>

High Brightness White LED Datasheet:

<http://cdn.sparkfun.com/datasheets/Components/General/YSL-R1042WC-D15.pdf>

IR Detector Datasheet: <http://optoelectronics.liteon.com/upload/download/DS-50-93-0013/LTR-301.pdf>

IR Emitter Datasheet: <http://optoelectronics.liteon.com/upload/download/DS-50-92-0009/E302.pdf>

Transistors

2N3904 Datasheet: <https://www.onsemi.com/pub/Collateral/2N3903-D.PDF>

2N3906 Datasheet: <https://www.onsemi.com/pub/Collateral/2N3906-D.PDF>

J112 Datasheet: <https://www.onsemi.com/pub/Collateral/J111-D.PDF>

MPF102 Datasheet: http://www.onsemi.com/pub_link/Collateral/MPF102-D.PDF

Miscellaneous

GL5528 CdS Cell Datasheet: <http://cdn.sparkfun.com/datasheets/Sensors/LightImaging/SEN-09088.pdf>

Vishay NTCLE100E3 Thermistor Datasheet: <http://www.vishay.com/docs/29049/ntcle100.pdf>

Appendix C: Component Symbol Glossary

Passives



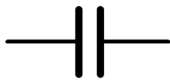
Resistor



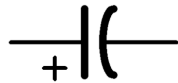
Potentiometer



Photoresistor (LDR)



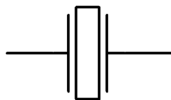
Capacitor



Polarized Capacitor



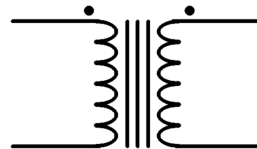
Variable Capacitor



Crystal

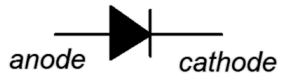


Inductor

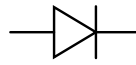


Transformer

Diodes



Switching or Rectifying Diode



Alternate Symbol



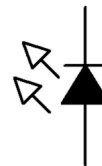
Zener Diode



Schottky Diode



Photodiode



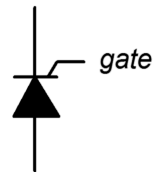
LED



Varactor Dode



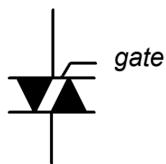
Tunnel Diode



SCR

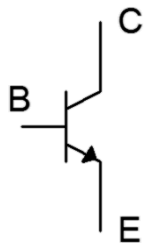


Diac

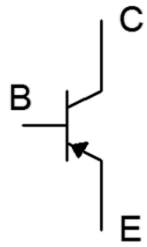


Triac

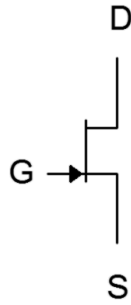
Transistors



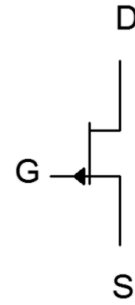
NPN Bipolar (BJT)



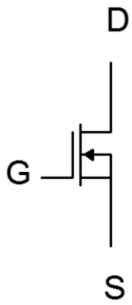
PNP Bipolar (BJT)



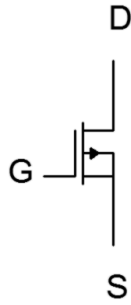
N Channel JFET



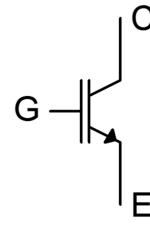
P Channel JFET



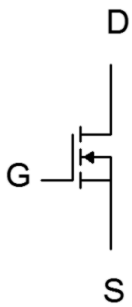
N Channel DE-MOSFET



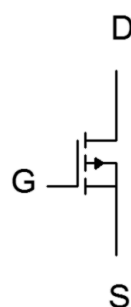
P Channel DE-MOSFET



IGBT



N Channel E-MOSFET



P Channel E-MOSFET



Phototransistor

Note: Transistors are sometimes drawn with a circle encompassing the body.